

SYSTEMATIC QUALITY

# Main products



Catalogue



## Technical lights

Pages 4 - 11

FlashLED 2  
Rechargeable  
battery-operated  
luminaires



Page 4

TorchLED  
Torch light



Pages 4-5

Torch light/  
Headlamp



Page 5

Working lamps



Page 6

SpotLED 24  
LED spotlight



Page 7

MultiLED 2  
battery light



Page 7

## Power distribution boxes

Pages 12-21

Power columns  
ES 100/160



Page 12

Power column  
QUADRO



Page 12

Small mobile  
distributor boxes



Page 13

Mobile  
wall-mounted  
distributor boxes



Page 14

Mobile floor  
distributor boxes



Page 14

Safety  
transformers



Page 15

## Cable Cable crossover

Pages 22-24

Cable



Page 22

Equipment  
connection leads



Page 22

Extension cable



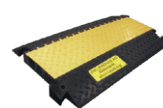
Page 23

Spiral cable



Page 23

Cable crossover



Page 24

Hose bridge



Page 24

## Cable reels Spring-driven cable reels Plugs and sockets

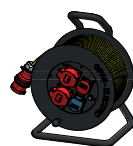
Pages 25-28

Cable reels  
plastic



Page 25

Cable reels  
hard rubber



Pages 25-26

Spring-driven  
cable reels type 520



Page 26

Spring-driven cable  
reels type 521



Page 26

Hose reel  
for air and water



Page 26

Plugs & Couplings  
IP55



Page 27

## Welding articles Welding accessories

Pages 29-31

Douflex  
Welding cable



Page 29

Sets



Page 29

Ground clamps



Page 29

Earth terminal



Page 29

Welding  
connections



Page 29

Electrode holder  
with jaw



Page 29

PrimaLED 2  
Working lamp



Page 7

AlphaLUXX  
Spot light



Page 8

DeltaLUXX  
Hall lighting fixtures



Page 9

Wide area lighting  
system HPL



Page 9

ApolloLED 2N /  
ApolloLED ECO



Page 10

StreamLED 2



Page 10

BetaLUXX



Page 10

FlexLED  
+ Emergency  
battery pack



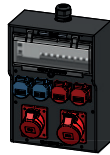
Page 11

Mobile hard rubber  
distributor boxes on  
support



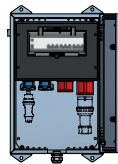
Page 15

Wall-mounted  
distribution box  
hard rubber



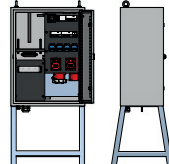
Page 16

Recessed-/surface  
mounted distributors



Page 17

Main distributor  
boxes



Pages 18-19

Applications



Pages 20-21

Plugs & Couplings  
230V



Page 27

Plugs & Couplings  
400V



Page 27

Personal safety  
switches



Page 28

Diverse  
plugs and sockets



Page 28

Electrode holder  
with swivel head



Page 29

Further  
products



Pages 30-31

## FlashLED 2

work and inspection lamp with emergency light function



≥ 5h

**IP65**



### Technical data

#### FlashLED 2

|                                   |                                     |
|-----------------------------------|-------------------------------------|
| Operating voltage:                | 10 - 42VDC                          |
| Electric power supply:            | Li-Ion-Akku 14.4V 2'600mAh          |
| Charging time:                    | 5h                                  |
| Luminous period:                  |                                     |
| – Spot (3 LED):                   | 10h                                 |
| – Wide (2 LED):                   | 14h                                 |
| – Full light (5 LED):             | 5h                                  |
| – <b>Emergency light (5 LED):</b> | <b>5h</b>                           |
| Tube:                             | 5 Power-LED à 3W, cool white 5'000K |
| Light output:                     | 200lm - 1'250lm                     |
| Protection category:              | IP65                                |
| Protection class:                 | III                                 |
| Operating temperature range:      | -20° to +45° C                      |
| Charging temperature range:       | 0° to +45° C                        |
| Dimensions (WxHxD)                |                                     |
| – Lamp excl. charging station:    | 252×123×93.4mm                      |
| – Lamp incl. charging station:    | 323×149×108mm                       |
| Weight:                           | approx. 1.1 kg                      |

#### Charging station

|                            |                                       |
|----------------------------|---------------------------------------|
| Operating voltage:         | 230 VAC (85 - 264 VAC)<br>or 12-24VDC |
| Protection category:       | IP54                                  |
| Protection class 230 VAC:  | II                                    |
| Protection class 12-24VDC: | III                                   |
| Dimensions (WxHxD):        | 149×276×95mm                          |
| Weight:                    | 430g                                  |

| Item no. | Designation  |
|----------|--|
| ✓ 861200 | FlashLED 2 work and inspection lamp with emergency light function without charging station |
| ✓ 860026 | FlashLED charging station 230VAC (85-264 VAC), incl. 1.5 m cable and plug Euro             |
| ✓ 108125 | FlashLED charging station FOCP 230 VAC (85 - 264 VAC), incl. 1.5 m cable and plug Euro     |
| ✓ 860027 | FlashLED charging station 12-24VDC, with plug-in connection, without cable                 |
| ✓ 860028 | Charging cable with cigarette plug, L=2m   |
| ✓ 860029 | Charging cable for permanent installation, with plug, L=2m                                 |

#### Accessories/spare parts

|          |   |
|----------|---|
| ✓ 860030 | Shoulder strap for FlashLED                           |
| ✓ 212451 | Coloured filter set for FlashLED (red, green, yellow) |
| ✓ 861212 | Spare battery 14.4V 2'600mAh for FlashLED 2           |
| ✓ 860744 | Battery cover with magnetic strip to FlashLED 2       |

## TorchLED torch light



**IP54**



### Technical data

|                      |  |
|----------------------|--|
| Power supply:        | 4 pcs AA 1.5V batteries or<br>4 pcs AA 1.5V accu cells   |
| Protection category: | IP54   |
| Light source:        | LED  |
| Equipment:           | 2×white, 2×red, 2×green  |
| Housing:             | – PA6-housing, with rubber overmolded handle lots (non-slip)<br>– freestanding<br>– belt clip (chrome steel)<br>– mechanical resistant |
| Temperature range:   | -20° C to +45° C   |
| Dimension (W×H×D):   | 68×115.5×35mm  |
| Weight:              | approx. 115 g without accu cells   |

| Item no.  | Designation   |
|-----------|---|
| ✓ 860237* | TorchLED torch light yellow, IP54 incl. hand strap, excl. accu/battery              |
| ✓ 860240* | TorchLED torch light yellow, IP54, with magnet incl. hand strap, excl. accu/battery |

#### Accessories/spare parts

|          |   |
|----------|---|
| ✓ 860274 | Accu-NiMH, 1.2V/1'900mAh HR6-AA                 |
| ✓ 860275 | Battery ALKALI, LR& AA 1.5V                     |
| ✓ 128785 | TorchLED wall holder empty, without accessories |
| ✓ 860335 | TorchLED belt pouch 12×127×35mm                 |

\*For a TorchLED art. 860274 or 860275 is 4×needed.





# Rechargeable battery -and battery lamps

## TorchLED torch light

with emergency light function or as Swiss Army



6h



IP54



### Technical data

|                               |   |
|-------------------------------|---|
| Power supply emergency light: | 4 pcs AA 1.2V accu cells  |
| Power supply Swiss army:      | 4 pcs. AA 1.5V batteries or<br>4 pcs. AA 1.2V accu cells  |
| Protection category:          | IP54  |
| Light source:                 | LED   |
| Equipment:                    | 2×white, 2×red, 2×green   |
| Housing:                      | – PA6-housing, with rubber<br>overmolded handle lots (non-slip)<br>– freestanding<br>– belt clip (chrome steel)<br>– mechanical resistant |
| Temperature range:            | –20° C to +45° C  |
| Dimension (W×H×D):            | 68×115.5×35mm   |
| Weight:                       | approx. 115g without accu cells   |

In case of power failure, the light turns on automatically (broadlight 100%, lasting ~6h)

### TorchLED Swiss Army

| Item no.  | Designation  |
|-----------|--|
| ✓ 860602* | TorchLED torch light army, yellow olive, IP54 incl. hand strap, excl. accu/battery |

\*For a TorchLED torch emergency light with battery, art. 860274 is 4×needed.

### TorchLED with emergency light function

| N° art.   | Designation   |
|-----------|---|
| ✓ 860236* | TorchLED torch light <b>emergency</b> , red, incl. hand strap                         |
| ✓ 860239* | TorchLED torch light <b>emergency</b> , red, incl. hand strap and with magnetic strip |

\*For a TorchLED torch emergency light with battery, art. 860274 is 4×needed.

### Accessories/spare parts for TorchLED with emergency light function and TorchLED Swiss Army

| N° art.  | Designation  |
|----------|--|
| ✓ 860276 | TorchLED charging station 230VAC, 12-48VDC IP44, incl. 1.5m cable with plug-in transformer |
| ✓ 860274 | Accu-NiMH 1.2V/1900mAh HR6-AA  |
| ✓ 128785 | TorchLED wall holder empty, without accessories  |

## Torch light suprabeam®



| Item no. | Designation   |
|----------|---|
| ✓ 861241 | Torch light LED Suprabeam Q1r 550lm incl. 1×Li-Po accu, USB-C cable   |
| ✓ 860754 | Multifunction lamp LED Suprabeam M6xr, 2'000lm incl. 1×Li-Ion accu, USB adapter, headband, quick-release fastener, integrated magnetic base |
| ✓ 861242 | Torch light LED Suprabeam Q3r, 1'100lm, incl. 1×Li-Ion accu, USB-C cable  |
| ✓ 860703 | Torch light LED Suprabeam Q3classic, 330lm incl. 3×AAA batteries and belt pouch   |
| ✓ 860752 | Torch light LED Suprabeam, Q5xr, defend 1'000lm incl. 1×Li-Ion accu, USB connection   |

### Accessories/spare parts

|          |  |
|----------|--|
| ✓ 250023 | Spare battery Li-Ion for Suprabeam Q3r                   |
| ✓ 860790 | Spare battery Li-Ion for Suprabeam M6xr                  |
| ✓ 021811 | Battery LR03 AAA/1.5V (apiece)                           |
| ✓ 861243 | Charger 4-fold (set with 4 batteries) for Suprabeam M6xr |
| ✓ 861244 | Signal cone orange for Q3xr                              |
| ✓ 860708 | Signal cone orange for Q5xr defend                       |

## Headlamp suprabeam®



Item no. 860947

Item no. 860707

| Item no. | Designation  |
|----------|--|
| ✓ 860947 | Headlamp LED Suprabeam V3pro rechargeable 1'000lm, incl. 1×Li-Po accu, USB cable |
| ✓ 860707 | Headlamp LED Suprabeam S4 rechargeable, 750lm, incl. 1×Li-Po accu, USB cable     |

### Accessories/spare parts

|          |  |
|----------|--|
| ✓ 216788 | Spare battery Li-Po for Suprabeam S4 rechargeable        |
| ✓ 860709 | Spare accumulator Li-Po for Suprabeam V3pro rechargeable |
| ✓ 216790 | Helmet Clip for Suprabeam S4 rechargeable                |
| ✓ 217308 | Helmet Clip-Set for Suprabeam S4 rechargeable            |
| ✓ 227473 | Silicone headband black for Suprabeam V3pro rechargeable |

Other versions, more accessories and spare parts on request.

✓ From stock, offer subject to prior sale

## Working lamp suprabeam®



Art.-Nr. 860832



Art.-Nr. 860835



Art.-Nr. 860831



Art.-Nr. 860829



Art.-Nr. 860830

| Item no. | Designation   |
|----------|---|
| ✓ 860832 | Working lamp Suprabeam W4r 4'400 lm, 1xLi-Ion accu, USB-C adapter |
| ✓ 860831 | Working lamp Suprabeam D4r 1'400 lm, 1xLi-Ion accu, USB-C adapter |
| ✓ 860835 | Working lamp Suprabeam W6r 4'600 lm, 1xLi-Ion accu, USB-C adapter |
| ✓ 860829 | Working lamp Suprabeam I2r 700 lm, 1xLi-Ion accu, USB-C adapter   |
| ✓ 860830 | Working lamp Suprabeam I4r 1'000 lm, 1xLi-Ion accu, USB-C adapter |

### Accessories



Item no. 860833



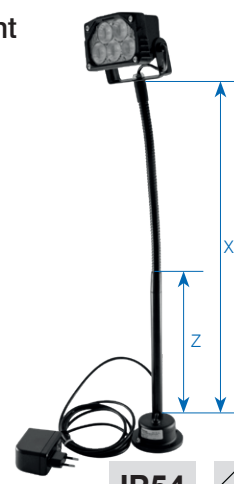
Item no. 860836



Item no. 860834

| Accessories / spare parts |  |
|---------------------------|--|
| ✓ 860833                  | Tripod Suprabeam for W4r /W6r height 0.73 - 1.65 m |
| ✓ 860834                  | Magnet holder Suprabeam for W4r                    |
| ✓ 860836                  | Spare battery Li-Ion 5.2Ah 14.8V for Suprabeam W6r |

## SpotLED FLEX Workplace light



IP54



### Technical data

|                      |  |
|----------------------|--|
| Operating voltage:   | 230 VAC                                  |
| Power consumption:   | 115 mA                                   |
| Connection cable:    | 1.8 m, 2x0.5 mm <sup>2</sup> (PUR-cable) |
| Lamps:               | 5 PowerLED à 3W                          |
| Light temperature:   | 6'000K (cool white)                      |
| Beam Angles:         | Spot / Medium                            |
| Protection category: | IP54 (without plug-in power pack)        |
| Protection class:    | III                                      |
| Material housing:    | made of die cast aluminum, black coated  |
| Material flex hose:  | steel, black coated                      |
| Material adapter:    | steel, black coated                      |
| Surface temperature: | max. 55°C                                |
| Temperature range:   | -30°C up to +45°C                        |

| Item no. Spot | Item no. Medium | length (X) | length (Z) | flex hose (Ø) |
|---------------|-----------------|------------|------------|---------------|
| 116285        | 116284          | 300 mm     | -          | 14 mm         |
| 116287        | ✓ 116286        | 400 mm     | -          | 14 mm         |
| 117613        | 117611          | 500 mm     | 200 mm     | 14 mm         |

| Accessories / Spare parts |   |
|---------------------------|---|
| ✓ 110427                  | Plug-in power pack 230 VAC / 18 VDC, 1'200 mA incl. connection cable 1.8 m, black |
| ✓ 024315                  | Magnetic clamp 540 N, Ø 86 mm, black for MULTI, spotlight, workplace light        |
| ✓ 104508                  | Protective glass (cover) polycarbonate  |
| ✓ 104431                  | Protective grid V2A   |
| ✓ 109212                  | Wing screw plastic, M5x10 mm  |

Other versions, more accessories and spare parts on request.

✓ From stock, offer subject to prior sale

# LED spotlight / Battery light / PrimaLED 2

## SpotLED 24 spotlight



**IP67**

### SpotLED 24 spotlight

Small spotlight in modern design. Housing made of die cast aluminum, Bracket V2A-powder-coated, dimmable, vibration resistant.

| Item no. | Designation  |
|----------|--|
| ✓ 131064 | SpotLED 24, cool white, 5×67°, 500 mA<br>Housing Colour silver, with cable black 5 m, 3×0.25 mm <sup>2</sup> |
| ✓ 039636 | SpotLED 24, cool white, 5×38°, 500 mA<br>Housing Colour silver, with cable black 5 m, 3×0.25 mm <sup>2</sup> |
| ✓ 039643 | SpotLED 24, cool white, 5×10°, 500 mA<br>Housing Colour silver, with cable black 5 m, 3×0.25 mm <sup>2</sup> |

## SpotLED 230 spotlight



Holderprotection

**IP66**

| Spot Item no.                   | Medium Item no. | Wide Item no. | Comfort white 4'000K approx                              |
|---------------------------------|-----------------|---------------|--|
| ✓ 860169                        | ✓ 860170        | ✓ 860171      | SpotLED 230V,<br>5m cable 3×1 mm <sup>2</sup> , plug T12 |
| <b>Cool white 6'000K approx</b> |                 |               |  |
| ✓ 860172                        | ✓ 860173        | ✓ 860174      | SpotLED 230V,<br>5m cable 3×1 mm <sup>2</sup> , plug T12 |

### Accessories/Spare parts

|          |  |
|----------|--|
| ✓ 110743 | Pedestal complete incl. wingnuts, spacers, protective caps |
|----------|--|

## MultiLED 2 battery light with magnet holder



**IP65**

| Item no. | Designation   |
|----------|---|
| ✓ 840596 | MultiLED 2 battery light 4.4mAh/7.4V/5×3W<br>6'500K, incl. charger 230VAC and car charger |
| ✓ 189626 | Charger 230V  |
| 840618   | Charger 5-fold, 230V/70W for MultiLED 2   |

## PrimaLED 2



**IP65** **IP55** **IK08**

### Technical data

|                              |  |
|------------------------------|--|
| Operating voltage:           | 230VAC   |
| System performance:          | 25.2W  |
| Luminous flux:               | 4'200lm  |
| Light efficiency:            | 165lm/W  |
| Light temperature:           | 4'000K   |
| Indice de rendu de couleurs: | Ra > 80  |
| Operating life:              | L70/B10 80'000h                                  |
| Protection class:            | I (230V with socket)<br>II (230V without socket) |
| Protection category:         | IP65 (without socket)<br>IP54 (with socket)      |
| Impact resistance:           | IK08   |
| Power supply:                | mains connection                                 |
| Temperature range:           | -20°C to +40°C                                   |
| Weight:                      | 3.1 kg   |
| Dimensions (W×H×D):          | 305×295×110mm                                    |

| Item no. | Designation   |
|----------|---|
| ✓ 228219 | PrimaLED 2, 230V/25.2W, 4'200lm, incl. feed-in cable<br>5m, 3×1.0mm <sup>2</sup> , T13, with built-in socket T13  |
| ✓ 228220 | PrimaLED 2, 230V/25.2W, 4'200lm, incl. feed-in cable<br>10m, 3×1.0mm <sup>2</sup> , T13, with built-in socket T13 |
| ✓ 228221 | PrimaLED 2, 230V/25.2W, 4'200lm, incl. feed-in cable<br>5m, 2×1.0mm <sup>2</sup> , T11, without built-in socket   |
| ✓ 228222 | PrimaLED 2, 230V/25.2W, 4'200lm, incl. feed-in cable<br>10m, 2×1.0mm <sup>2</sup> , T11, without built-in socket  |

Other versions, more accessories and spare parts on request.

✓ From stock, offer subject to prior sale

## AlphaLUXX 25/40/60



5 YEARS  
GUARANTEE



IP65



### Technical data

|                                 |   |
|---------------------------------|---|
| Operating voltage:              | 100-277 VAC (50/60 Hz)  |
| System performance:             | 25.4 W/40 W/60 W  |
| Lighting current:               | 3'365 lm/5'152 lm/7'322 lm  |
| LED power:                      | 132 lm/W/128 lm/W/122 lm/W  |
| Light colour:                   | 4'000 K/5'000 K   |
| Light source:                   | SMD-LEDs  |
| Beam angles:                    | 120°  |
| CRI:                            | Ra >80  |
| Operating life:                 | [L70/B10] > 80'000 h  |
| Protection category:            | IP65  |
| Protection class:               | I   |
| Dimming:                        | optional DALI   |
| Operating range of temperature: |   |
| – AlphaLUXX 25:                 | –30° C to +60° C  |
| – AlphaLUXX 40:                 | –30° C to +55° C  |
| – AlphaLUXX 60:                 | –30° C to +50° C  |
| Max. surface temperature:       | +90° C (suitable for use in industrial premises with fire hazards),<br>D rating label |
| Cover:                          | toughened safety glass<br>3 mm, (versions available transparent or frosted)           |
| Weight:                         | approx. 2.7 kg  |
| Measurements (L×W×H):           | 289×176×85.5 mm   |
| Housing:                        | Die-cast aluminium  |
| Housing surface:                | PTFE-coated, suitable for the food industry   |
| Housing colour:                 | black   |
| Connection:                     | 1 m connection cable,<br>3×1.5 mm <sup>2</sup> H07RN                                  |
| Certification:                  | ENEC, CE suitable for IFS<br>(International Featured Standard)                        |

### Standard range «frosted glass»

|   | 4'000 K* | 5'000 K** | Designation                     |
|---|----------|-----------|---------------------------------|
| ✓ | 860962   | ✓ 860961  | AlphaLUXX 25, 230 VAC, 3'365 lm |
| ✓ | 860960   | ✓ 860959  | AlphaLUXX 40, 230 VAC, 5'152 lm |
| ✓ | 860957   | ✓ 860956  | AlphaLUXX 60, 230 VAC, 7'322 lm |

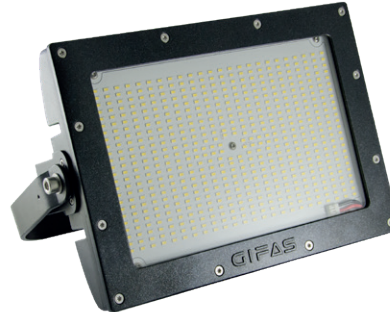
\* 4'000 K = 4'000 Kelvin, light colour comfort white

\*\* 5'000 K = 5'000 Kelvin, light colour cool white

Other versions, more accessories and spare parts on request.

✓ From stock, offer subject to prior sale

## AlphaLUXX 80/100/120



5 YEARS  
GUARANTEE



IP65



### Technical data

|                                 |  |
|---------------------------------|--|
| Operating voltage:              | 100-277 VAC (50/60 Hz)   |
| System performance:             | 86 W/111 W/128 W   |
| Lighting current clear glass:   | 12'801 lm/16'432 lm/18'636 lm  |
| Lighting current frosted glass: | 11'540 lm/14'052 lm/16'461 lm  |
| LED power:                      | 150 lm/W/148 lm/W/146 lm/W   |
| Light colour:                   | 4'000 K/5'000 K (3'000 K on request)   |
| Light source:                   | SMD-LEDs   |
| CRI:                            | Ra >80   |
| Beam angles:                    | 60°/90°/120°   |
| Operating life:                 | > 80'000 h   |
| Protection category:            | IP65   |
| Protection class:               | I  |
| Dimming:                        | optional DALI  |
| Operating range of temperature: |  |
| – AlphaLUXX 80:                 | –30° C to +60° C   |
| – AlphaLUXX 100:                | –30° C to +55° C   |
| – AlphaLUXX 120:                | –30° C to +50° C   |
| Max. surface temperature:       | +90° C (suitable for use in industrial premises with fire hazards),<br>D rating label                                    |
| Cover:                          | toughened glass, 5 mm<br>optional PC, impact-resistant plastic cover, 5 mm (versions available transparent or satinised) |
| Weight:                         | approx. 7.0 kg   |
| Measurements (L×W×H):           | 389×252×106.5 mm   |
| Housing:                        | Die-cast aluminium   |
| Housing surface:                | PTFE-coated, suitable for the food industry  |
| Housing colour:                 | black  |
| Connection:                     | 1 m connection cable,<br>3×1.5 mm <sup>2</sup> H07RN   |
| Certification:                  | ENEC, CE, suitable for IFS<br>(International Featured Standard)  |

### Standard range «clear glass»

|   | Clear glass |           | Frosted glass | Designation            |
|---|-------------|-----------|---------------|------------------------|
|   | 4'000 K*    | 5'000 K** | 5'000 K**     |                        |
| ✓ | 860965      | ✓ 860964  | ✓ 860963      | AlphaLUXX 80, 230 VAC  |
| ✓ | 860968      | ✓ 860967  | ✓ 860966      | AlphaLUXX 100, 230 VAC |
| ✓ | 860973      | ✓ 860972  | ✓ 860969      | AlphaLUXX 120, 230 VAC |

Other versions (e.g. 3'000 K, ball-impact resistant according to DIN VDE 0710-13), more accessories and spare parts on request.



# Hall lighting fixtures / Wide area lighting system

## DeltaLUXX



### Technical data

|                                |   |
|--------------------------------|---|
| Operating voltage:             | 100-277 VAC (50/60 Hz)  |
| System performance:            | 95-270 W  |
| Lighting current:              | 16'400-40'230 lm  |
| Light colour:                  | 5'000 K   |
| Light source:                  | SMD-LEDs  |
| CRI:                           | Ra > 80   |
| Beam angles:                   | ~30° / ~60° / ~120°   |
| LED-Operating life:            | [L70/B10] > 80'000 h  |
| Protection category:           | IP65  |
| Protection class:              | I   |
| Dimming:                       | optional DALI   |
| Operating range of temperature |   |
| - 90-170:                      | -30° C to +60° C  |
| - 200:                         | -30° C to +55° C  |
| - 240-250:                     | -30° C to +50° C  |
| Max. surface temperature:      | +90° C (suitable for use in industrial premises with fire hazards),<br>D rating label |
| Cover:                         | 3 mm toughened glass (Vision) or<br>3 mm polycarbonate                                |
| Weight:                        | approx. 9.5 kg  |
| Measurements(Ø×H):             | 450×195 mm  |
| Housing:                       | Die-cast aluminium  |
| Housing surface:               | PTFE-coated   |
| Housing colour:                | black   |
| Certification:                 | ENEC, CB, CE, D rating label  |

Other versions on request (e.g. 3'000 K, 4'000 K).

| ~30° Beam angle  |  |
|------------------|--|
| 800161           | DeltaLUXX 150, 230 VAC, 5'000 K, 17'089 lm         |
| 800163           | DeltaLUXX 240, 230 VAC, 5'000 K, 24'418 lm         |
| ~60° Beam angle  |  |
| 800406           | DeltaLUXX 2 130, 230 VAC, 5'000 K, 21'400 lm       |
| 800409           | DeltaLUXX 2 250, 230 VAC, 5'000 K, 40'230 lm       |
| ~120° Beam angle |  |
| ✓ 800290         | DeltaLUXX 2 130, 230 VAC, 5'000 K, 22'400 lm       |
| ✓ 800839         | DeltaLUXX 2 170, 230 VAC, 5'000 K, 28'100 lm, DALI |
| ✓ 800294         | DeltaLUXX 2 200, 230 VAC, 5'000 K, 32'400 lm       |
| ✓ 800296         | DeltaLUXX 2 250, 230 VAC, 5'000 K, 38'900 lm       |

## Wide area lighting system HPL



### Technical Data

|                                 |   |
|---------------------------------|---|
| Operating voltage:              | 100-240 VAC   |
| LED power / System performance: |   |
| - 450 W:                        | 460 W   |
| - 900 W:                        | 920 W   |
| - 1'350 W:                      | 1'380 W   |
| LED efficiency:                 | 146 lm/W  |
| Incide of CRI:                  | Ra > 70   |
| Operating life:                 | L80/B50 > 97'000 h  |
| LED switching capability:       | > 1 mil   |
| Protection category:            | IP66  |
| Impact resistance:              | IK10  |
| Protection class:               | I   |
| MacAdam:                        | 3-step  |
| Dimmable:                       | Yes   |
| Operating range of temperature: | -20° C to +50° C  |
| Integrated thermal management:  | Yes   |
| Max. surface temperature:       | +90° C (suitable for use in industrial premises with fire hazards),<br>D rating label |
| Weight:                         |   |
| - 450 W:                        | 19.2 kg   |
| - 900 W:                        | 33.3 kg   |
| - 1'350 W:                      | 42.8 kg   |
| Dimensions l×h×w:               |   |
| - 450 W:                        | 390×685×240 mm  |
| - 900 W:                        | 700×685×240 mm  |
| - 1'350 W:                      | 700×890×240 mm  |
| Material housing:               | Aluminium   |
| Housing colour:                 | black   |
| Swivel angle of bracket:        | 270°  |

\*h = with bracket folded downwards

| Item no. | Designation   |
|----------|---|
| ✓ 861033 | Wide area lighting system HPL 450 W, 230 VAC, 110°, 5'700 K, 57'000 lm, IP66, DALI                      |
| ✓ 861034 | Wide area lighting system HPL 450 W, 230 VAC, <b>asym. 130°×60°</b> , 5'700 K, 68'600 lm, IP66, DALI    |
| ✓ 861002 | Wide area lighting system HPL 900 W, 230 VAC, <b>asym. 130°×40°</b> , 5'700 K, 134'000 lm, IP66, DALI   |
| ✓ 861004 | Wide area lighting system HPL 1'350 W, 230 VAC, <b>asym. 130°×40°</b> , 5'700 K, 197'600 lm, IP66, DALI |

60° version available on request

✓ From stock, offer subject to prior sale



## ApolloLED 2N

### Technical data

|                                 |                     |
|---------------------------------|---------------------|
| Input voltage:                  | 100-277 VAC         |
| Power consumption:              |                     |
| – 50% illuminated:              | 220 W               |
| – 100% illuminated:             | 440 W               |
| Lighting current:               | 53'760 lm           |
| LED power:                      | 122 lm/W            |
| Light colours:                  | 5'000 K             |
| Operating life:                 | >50'000 h           |
| Protection category:            | IP44                |
| Protection class:               | I                   |
| Operating range of temperature: | -25°C to +45°C      |
| Measurements LxD:               | 900x208 mm          |
| Weight:                         | 11 kg               |
| Utilisation height:             | 3.5 m               |
| Illumination area:              | >700 m <sup>2</sup> |



IP44

| Item no. | Designation   |
|----------|---|
| ✓ 246988 | ApolloLED 2N, 230 V/896x0.5 W, incl. power supply 5 m 3x1.5 mm <sup>2</sup> , T13, incl. transport case |
| ✓ 800211 | ApolloLED 2N, 230 V/896x0.5 W, excl. power supply and transport case                                    |
| ✓ 102009 | Tripod, steel chromatised, h=max. 3.7 m, with crank winch, max load 30 kg, tube ø38 mm                  |

## ApolloLED ECO

### Technical data

|                                 |                     |
|---------------------------------|---------------------|
| Input voltage:                  | 100-277 VAC         |
| System performance:             | 307.5 W             |
| Lighting current:               | 32'321 lm           |
| LED power:                      | 110 lm/W            |
|                                 | incl. fan           |
| Light colours:                  | 5'000 K             |
| Operating life:                 | >50'000 h           |
| Protection category:            | IP44                |
| Protection class:               | I                   |
| Operating range of temperature: | -25°C to +50°C      |
| Measurements LxD:               | 600x208 mm          |
| Weight:                         | 7.5 kg              |
| Utilisation height:             | 2.7 m               |
| Illumination area:              | >600 m <sup>2</sup> |



IP44

| Item no. | Designation   |
|----------|---|
| ✓ 184857 | ApolloLED ECO, 230 V, 300 W, 32'321 lm, incl. feed-in cable 5 m 3x1.5 mm <sup>2</sup> , plug T13, incl. transport bag |
| ✓ 184858 | Tripod, steel /aluminum powder-coated, h=max. 2.4 m, with crank winch, max load 50 kg, tube ø35 mm                    |

## StreamLED 2 – pluggable



IK08 IP66

| Item no. PMMA Acrylglas | Output | Luminous flux | Light colour | Length mm |
|-------------------------|--------|---------------|--------------|-----------|
| ✓ 860660                | 20 W   | 2'121 lm      | 4'000 K      | 786       |
| ✓ 860661                | 20 W   | 2'121 lm      | 5'000 K      | 786       |
| ✓ 860662                | 35 W   | 4'245 lm      | 4'000 K      | 1'265     |
| ✓ 860663                | 35 W   | 4'245 lm      | 5'000 K      | 1'265     |
| ✓ 860664                | 55 W   | 7'102 lm      | 4'000 K      | 1'744     |
| ✓ 860665                | 55 W   | 7'102 lm      | 5'000 K      | 1'744     |

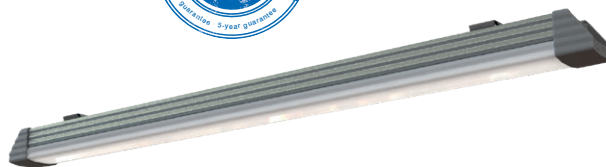
## StreamLED 2 – direct connection



IK10 IP66/IP69

| Item no. PMMA Acrylglas | Output | Luminous flux | Light colour | Length mm |
|-------------------------|--------|---------------|--------------|-----------|
| ✓ 860666                | 20 W   | 2'121 lm      | 4'000 K      | 751       |
| ✓ 860667                | 20 W   | 2'121 lm      | 5'000 K      | 751       |
| ✓ 860668                | 35 W   | 4'245 lm      | 4'000 K      | 1'230     |
| ✓ 860669                | 35 W   | 4'245 lm      | 5'000 K      | 1'230     |
| ✓ 860670                | 55 W   | 7'102 lm      | 4'000 K      | 1'709     |
| ✓ 860671                | 55 W   | 7'102 lm      | 5'000 K      | 1'709     |

## BetaLUXX



5 YEARS GUARANTEE



IP66

IK10



### BetaLUXX complete with plug and connector

| 3'000 K  | 4'000 K  | 5'000 K  |                                |
|----------|----------|----------|--------------------------------|
| ✓ 860627 | ✓ 860626 | ✓ 860616 | BetaLUXX 20, 230 VAC, 1'964 lm |
| ✓ 860628 | ✓ 860614 | ✓ 860470 | BetaLUXX 40, 230 VAC, 3'929 lm |
| ✓ 860629 | ✓ 860615 | ✓ 860480 | BetaLUXX 60, 230 VAC, 6'574 lm |

Other versions, more accessories and spare parts on request.

✓ From stock, offer subject to prior sale

## FlexLED – LED light strip on cable reel or reel



Handle with integrated elastic band to lock the cable reel

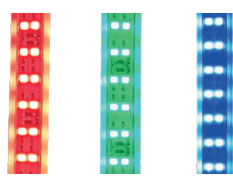
### Technical Data

|                               |   |
|-------------------------------|---|
| LED:                          | LED strip double-sided<br>(2×180 LEDs/m)                            |
| System performance:           | 13W/m (10W/m*)  |
| Light efficiency:             | 1'500lm/m (1'300lm/m*)  |
| Light colours:                | white 3'000K/4'000K,<br>red, green, blue                            |
| Beam angles:                  | 240° (120° per side)  |
| Operating life:               | > 30'000h   |
| Protection category:          | IP65  |
| Impact resistance:            | IK10  |
| Operating temperature range:  | -20°C to +50°C  |
| Weight reel with              |   |
| – 5m:                         | approx. 1.2kg   |
| – 10m:                        | approx. 2.3kg   |
| Weight cable reel with 25m:   | approx. 6.2kg   |
| Dimensions light strip (L×W): | 16×8mm  |
| Length:                       | 5m/10m/25m<br>(extendable to max. 100m)                             |
| Connection cable:             | 1.5m 2×1.5mm <sup>2</sup> rubber cable<br>with CH-plug IP55 type 11 |

\* flicker-free in combination with power supply unit (art. no. 861254)



Handle with integrated elastic band to lock the cable reel



Light colour variants

| Item no. | Designation  |
|----------|--|
| ✓ 861055 | FlexLED on a reel 10m, 3'000K, Wide 240°   |
| ✓ 861054 | FlexLED on a reel 10m, 4'000K, Wide 240°   |
| ✓ 861049 | FlexLED on cable reel 25m, 3'000K, Wide 240°   |
| ✓ 861022 | FlexLED on cable reel 25m, 4'000K, Wide 240°   |
| ✓ 861235 | FlexLED on reel 5m, red, Wide 240°   |
| ✓ 861236 | FlexLED on reel 5m, green, Wide 240°   |
| ✓ 861237 | FlexLED on reel 5m, blue, Wide 240°  |
| ✓ 256786 | Pipe clamp PP black for outer-ø 15mm   |
| ✓ 861086 | Connection cable CH-plug type 11   |
| ✓ 861254 | Power supply 400W, IP65, flicker-free, with plug type 13 (FlexLED output 10W/m, 1'300lm/m) |
| ✓ 251254 | Extension cable 5m 2×1.5mm <sup>2</sup>  |
| ✓ 251253 | T-connector  |
| ✓ 861098 | Dimmer with plug type 11   |

## FlexLED – Emergency battery pack (optional)



### Technical Data

|   |  |
|---|--|
| Output:                                   | 50W  |
| Emergency operation rechargeable battery: | 120min   |
| Battery level:                            | Display via indicator light  |
| Connected power:                          | max. 1'500W  |
| Input voltage:                            | 100-277V AC  |
| Output voltage:                           | 175DC  |
| Battery:                                  | 22.2V 6'000mAh Li-Ion battery  |
| Charging time:                            | > 8h (80%)   |
| Emergency trigger time:                   | <1 s   |
| Protection category:                      | IP65   |
| Impact resistance:                        | IK08   |
| Temperature range:                        | -10°C to +45°C   |
| Connection cable:                         | 1.5m 3×1.5mm <sup>2</sup> rubber cable<br>with plug and connector IP55 type 13 |

### Emergency operation brightness:

|      |     |         |
|------|-----|---------|
| 10m: | 30% | 450lm/m |
| 25m: | 20% | 300lm/m |
| 50m: | 10% | 150lm/m |

### Battery status query:

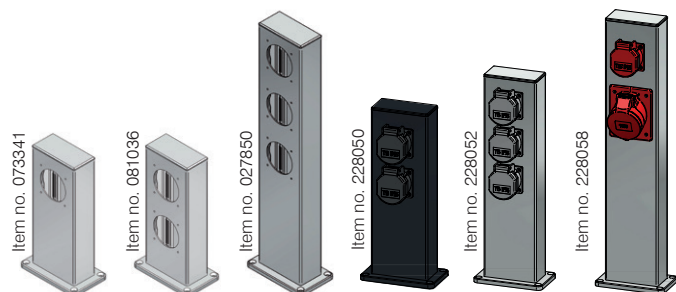
With the emergency function switched on, briefly press the illuminated pushbutton to indicate the power supply.

|   |                            |
|---|----------------------------|
| Number of red light flashes (flashing): |                            |
| 1× =                                    | 0% – 20% remaining power   |
| 2× =                                    | 20% – 40% remaining power  |
| 3× =                                    | 40% – 60% remaining power  |
| 4× =                                    | 60% – 80% remaining power  |
| 5× =                                    | 80% – 100% remaining power |

| Item no. | Designation                    |
|----------|--------------------------------|
| ✓ 861052 | FlexLED emergency battery pack |

✓ From stock, offer subject to prior sale

## Power columns ES 100/160



### Technical Data

Material: The energy column will be delivered without fixing material made (on site)

Protection category:

- IP20: No protection against moisture
- IP44: Splashproof
- IP55: (at appropriate built-ins)

### Aluminium column type ES 100

| Item no. | Designation                              | Height | Equipment         |
|----------|--|--------|-------------------|
| ✓ 073341 | Aluminium column, anodised aluminium     | 250 mm | 1 bore Ø60 mm     |
| ✓ 081036 | Aluminium column, anodised aluminium     | 250 mm | 2 bores Ø60 mm    |
| ✓ 027850 | Aluminium column, anodised aluminium     | 400 mm | drilling 3×NUP    |
| ✓ 228050 | Aluminium column, black painted, RAL9005 | 300 mm | 2×T13             |
| ✓ 228052 | Aluminium column, anodised aluminium     | 390 mm | 3×T13             |
| ✓ 228058 | Aluminium column, anodised aluminium     | 500 mm | 1×T25, 1×CEE 16/5 |



### Aluminium column type ES 160

| Item no. | Designation                          | Height | Equipment                            |
|----------|--------------------------------------|--------|--------------------------------------|
| 228060   | Aluminium column, anodised aluminium | 800 mm | 1×T23, 1×T25, 1×CEE 16/5, 2×CEE 32/5 |

## QUADRO



The QUADRO can be used for many outdoor applications and optically fits perfectly into the environment. The QUADRO has perfect vandal-proof design, and thanks to the compact internal rubber distributor the column is also ideally suited to very rough environments.

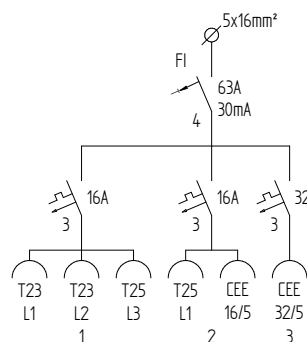
Thanks to the flexible cable outlet flap, outside influences can also be reduced to a minimum during operation.

Two locks are standard equipment for the QUADRO (1×KABA 5000/ 1×4-way 8mm).

The QUADRO can be selected and ordered as modules:

- three possible cover versions
- various power distribution options (various equipment options)
- individual lock versions

| Item no. | Designation                  | Locks            | Equipment  |
|----------|------------------------------|------------------|--|
| 228937   | QUADRO without lighting      | KABA 5000/ 4-way | KSV 7400<br>2×T23<br>2×T25<br>1×CEE 16/5<br>1×CEE 32/5 |
| 228941   | QUADRO with diffuse lighting | KABA 5000/ 4-way | KSV 7400<br>2×T23<br>2×T25<br>1×CEE 16/5<br>1×CEE 32/5 |
| 228942   | QUADRO with LED lighting     | KABA 5000/ 4-way | KSV 7400<br>2×T23<br>2×T25<br>1×CEE 16/5<br>1×CEE 32/5 |



Other versions, more accessories and spare parts on request.

✓ From stock, offer subject to prior sale

# Small mobile distributor boxes, hard rubber

## Hard rubber distributor boxes type 1400

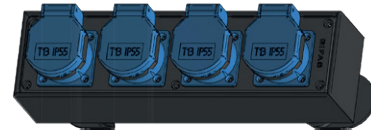


### Specification

- solid rubber enclosure type 1400
- mounted with 1 strap V2A
- with flap made out of Plexiglas
- colour black
- protection category IP55
- L×W×H=78×290×65 mm

| Item no. | Designation                           | Equipment  |
|----------|---------------------------------------|--|
| ✓ 229362 | Hard rubber distributor box type 1400 | 2 built-in sockets T13/10A/230V<br>1 switch FI 1N-25A/30mA<br>1 cable gland M20<br>Input: 5m cable Gifaflex 3×1.5mm <sup>2</sup> , yellow, with plug T13 |

## Hard rubber distributor boxes type 1400

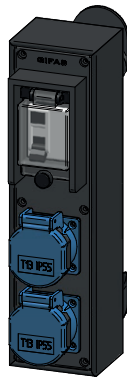


### Specification

- solid rubber enclosure type 1400
- mounted with cable reel behind
- colour black
- protection category IP55
- L×W×H=290×78×65 mm

| Item no. | Designation                           | Equipment  |
|----------|---------------------------------------|--|
| ✓ 229366 | Hard rubber distributor box type 1400 | 4 built-in sockets T13/10A/230V<br>1 protective rubber sleeve<br>Input: 5m cable Gifaflex 3×1.5mm <sup>2</sup> , yellow, with plug T13 |

## Hard rubber distributor box type 1400

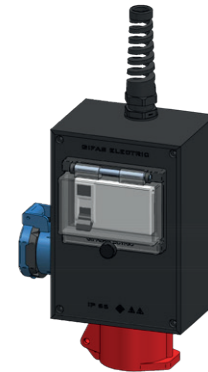


### Specification

- solid rubber enclosure type 1400
- mounted with cable reel behind
- colour black
- protection category IP55
- L×W×H=78×290×65 mm

| Item no. | Designation                           | Equipment  |
|----------|---------------------------------------|--|
| ✓ 229361 | Hard rubber distributor box type 1400 | 2 built-in sockets T13/10A/230V<br>1 switch FI, 1N-25A/30mA<br>1 protective rubber sleeve<br>Input: 5m cable Gifaflex 3×1.5mm <sup>2</sup> , yellow, with plug T13 |

## Small mobile distributor box, hard rubber type 1812



### Specification

- solid rubber enclosure type 1812
- with flap made out of Plexiglas
- colour black
- protection category IP44
- L×W×H=125×180×90 mm

| Item no. | Designation  | Equipment  |
|----------|--|--|
| ✓ 229450 | Small mobile distributor box hard rubber type 1812 | 1 built-in socket T23/16A/230V<br>1 built-in socket type CEE16/5/400V<br>1 switch FI 3N-40A/30mA<br>1 cable gland M20<br>Input: 3m cable Gifaflex 5×1.5mm <sup>2</sup> , yellow, with plug CEE16/5 |

Other versions, more accessories and spare parts on request.

✓ From stock, offer subject to prior sale

## Mobile wall-mounted distributor box, hard rubber type 7300

### Specification

- solid rubber enclosure type 7300
- with protective collar and flap, handle and mounting bracket
- colour black
- protection category IP44
- L×W×H = 200×350×133mm

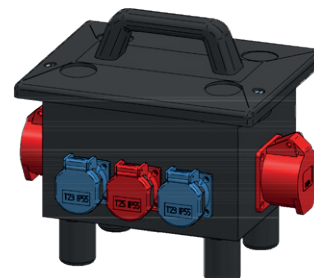


| Item no. | Designation  | Equipment   |
|----------|--|---|
| ✓ 229657 | Mobile wall-mounted distributor box, hard rubber type 7300 | 2 built-in sockets T23/16A/230V<br>1 built-in socket T25/16A/230/400V<br>2 built-in sockets CEE 16/5/400V<br>1 switch FI 3N-40A/30mA<br>1 circuit breaker 1-16A «C»<br>1 circuit breaker 3-16A «C»<br>1 clamp web 5×16mm <sup>2</sup><br>2 cable glands M25 without cable |

## Mobile floor distributor box, hard rubber type 6200

### Specification

- solid rubber enclosure type 6200
- with handle
- colour black
- protection category IP44
- L×W×H = 280×275×230mm

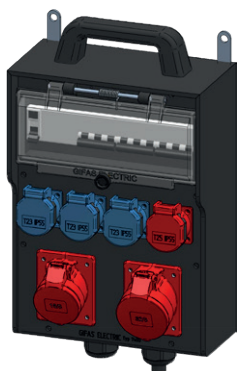


| Item no. | Designation   | Equipment   |
|----------|---|---|
| ✓ 229457 | Mobile floor distributor box, hard rubber type 6200 | 2 built-in sockets T23/16A/230V<br>1 built-in socket T25/16A/230/400V<br>2 built-in sockets CEE 16/5/400V<br>1 switch FI 3N-40A/30mA<br>1 cable gland M20<br>Input: 5m cable Gifaflex 5×2.5mm <sup>2</sup> , yellow, with plug CEE 16/5 |

## Mobile wall-mounted distributor box, hard rubber type 7400

### Specification

- solid rubber enclosure type 7400
- with protective collar and flap, handle and mounting bracket
- colour black
- protection category IP44
- L×W×H = 266×370×133mm

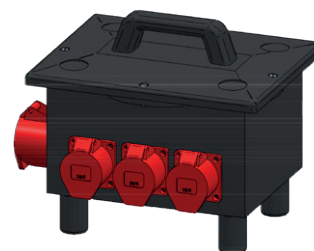


| Item no. | Designation  | Equipment  |
|----------|--|--|
| ✓ 229661 | Mobilier wall-mounted distributor box, hard rubber type 7400 | 3 built-in sockets T23/16A/230V<br>1 built-in socket T25/16A/230/400V<br>1 built-in socket CEE 16/5/400V<br>1 built-in socket CEE 32/5/400V<br>1 switch FI 3N-40A/30mA<br>2 circuit breaker 3-16A «C»<br>1 circuit breaker 3-32A «C»<br>1 clamp web 5×16mm <sup>2</sup><br>2 cable gland M32 without cable |

## Mobile floor distributor box, hard rubber type 6700

### Specification

- solid rubber enclosure type 6700
- with handle
- colour black
- protection category IP44
- L×W×H = 350×253×280mm



| Item no. | Designation   | Equipment   |
|----------|---|---|
| ✓ 229461 | Mobile floor distributor box, hard rubber type 6700 | 2 built-in sockets T23/16A/230V<br>2 built-in sockets T25/16A/230/400V<br>3 built-in sockets CEE 16/5/400V<br>1 built-in socket CEE 32/5/400V<br>1 switch FI 3N-40A/30mA<br>1 circuit breaker 1-16A «C»<br>2 circuit breaker 3-16A «C»<br>1 cable gland M25<br>Input: 3m cable Gifaflex 5×4.0mm <sup>2</sup> , yellow, with plug CEE 32/5 |

Other versions, more accessories and spare parts on request.

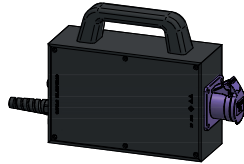
✓ From stock, offer subject to prior sale



## Mobile safety transformer 230/24V/120VA type 2516

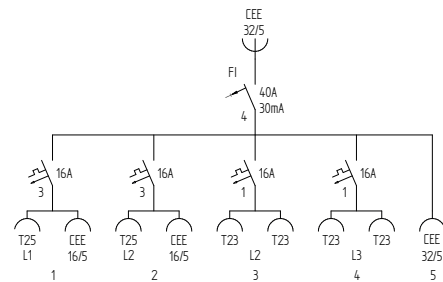
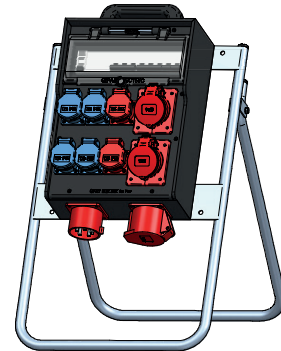
### Specification

- solid rubber enclosure type 2516
- with handle
- colour black
- protection category IP44
- L×W×H = 250×215×90 mm
- power: 120VA
- input 3 m 2×1.5 mm<sup>2</sup> with plug T13
- installations: 1 thermal overcurrent protection switch
- primary protection: 0.6A



| Item no. | Designation   |
|----------|---|
| 229712   | Safety transformer 120VA type 2516<br>230/24V – 1×CEE 2×16A/24V, 3 m 2×1.5, T13 |

## Mobile hard rubber distributor box mounted on foldable stand

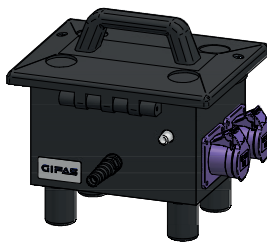


| Item no. | Designation  |
|----------|--|
| ✓ 228745 | Mobile hard rubber distributor boxes type 7400 connector plug CEE 32/5 on foldable stand V2A |

## Mobile safety transformer 230/24V/320VA, 500VA, type 6200

### Specification

- solid rubber enclosure type 6200
- with handle
- colour black
- protection category IP44
- L×W×H = 280×275×230 mm
- power: 2×CEE 2×16A/24V
- pnpot 3 m 2×1.5 mm<sup>2</sup> with plug T13
- installations: 1 thermal overcurrent protection switch

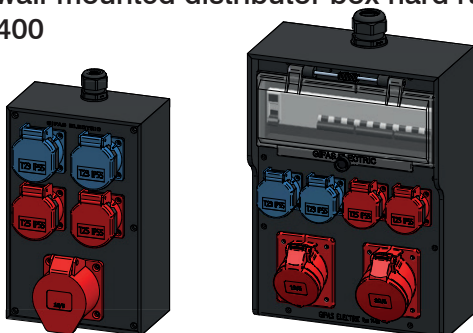


| Item no. | Designation   |
|----------|---|
| 229713   | Safety transformer 320VA type 6200<br>230/24V – 2×CEE 2×16A/24V, 3 m 2×1.5, T13 |
| 229714   | Safety transformer 500VA type 6200<br>230/24V – 2×CEE 2×16A/24V, 3 m 2×1.5, T13 |

Other versions, more accessories and spare parts on request.

✓ From stock, offer subject to prior sale

## Small mobile distributor box hard rubber type 2516/wall-mounted distributor box hard rubber type 7400

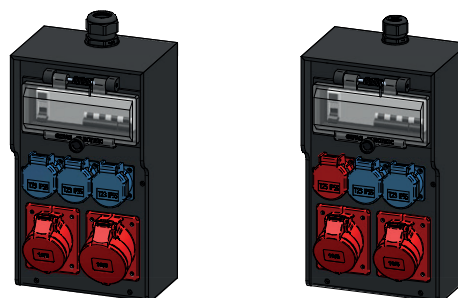


Item no. 228739

Item no. 228403

| Item no. | Designation   | Equipment   |
|----------|---|---|
| ✓ 228739 | Hard rubber distributor box type 2516<br>L×W×H = 160×250×90mm<br>Pre-fuse max. 16A  | 2×T23, 2×T25<br>1×CEE 5×16A/400V<br>Input: 1×M20 <b>above</b>                       |
| ✓ 228403 | Hard rubber distributor box type 7400<br>L×W×H = 266×370×133mm<br>Pre-fuse max. 63A | 2×T23<br>2×T25<br>1×CEE 5×16A/400V<br>1×CEE 5×32A/400V<br>Input: 1×M32 <b>above</b> |

## Wall-mounted distributor boxes hard rubber type 7300

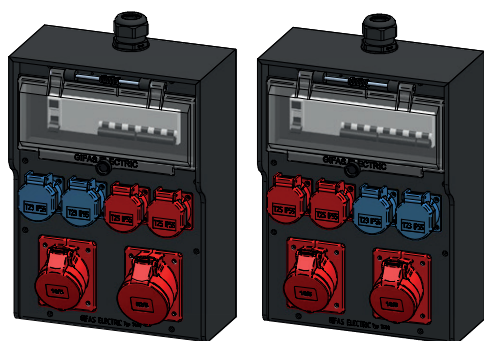


Item no. 228780

Item no. 228778

| Item no. | Designation   | Equipment  |
|----------|---|--|
| ✓ 228780 | Hard rubber distributor box type 7300<br>L×W×H = 200×350×133mm<br>Pre-fuse max. 32A | 3×T23<br>1×CEE 5×16A/400V<br>1×CEE 5×32A/400V<br>Input: 1×M32 <b>above</b> |
| ✓ 228781 | according to 228780   | According to 228780<br>Input: 1×M32 <b>below</b>                           |
| ✓ 228778 | Hard rubber distributor box type 7300<br>L×W×H = 200×350×133mm<br>Pre-fuse max. 63A | 2×T23, 1×T25<br>2×CEE 5×16A/400V<br>Input: 1×M25 <b>above</b>              |
| ✓ 228779 | according to 228778   | According to 228778<br>Input: 1×M25 <b>below</b>                           |

## Wall-mounted distributor boxes hard rubber type 7400

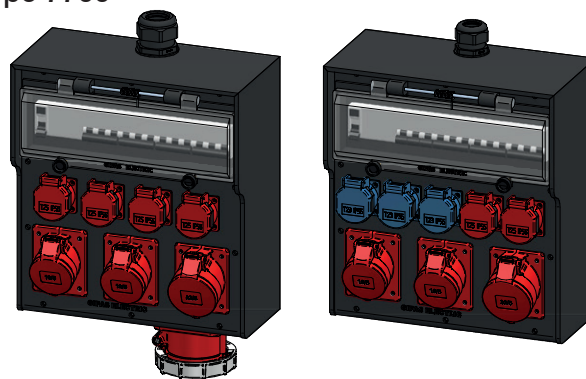


Item no. 228402

Item no. 228345

| Item no. | Designation   | Equipment   |
|----------|---|---|
| ✓ 228402 | Hard rubber distributor box type 7400<br>L×W×H = 266×370×133mm<br>Pre-fuse max. 32A | 2×T23<br>2×T25<br>1×CEE 5×16A/400V<br>1×CEE 5×32A/400V<br>Input: 1×M32 <b>above</b> |
| ✓ 228350 | according to 228402   | dito 228402<br>Input: 1×M32 <b>below</b>  |
| ✓ 228345 | Hard rubber distributor box type 7400<br>L×W×H = 266×370×133mm<br>Pre-fuse max. 40A | 2×T23<br>2×T25<br>2×CEE 5×16A/400V<br>Input: 1×M32 <b>oben</b>                      |
| ✓ 228346 | according to 228345   | dito 228345<br>Input: 1×M32 <b>below</b>  |

## Wall-mounted distributor boxes hard rubber type 7700



Item no. 228406

Item no. 228794

| Item no. | Designation   | Equipment  |
|----------|---|--|
| ✓ 228406 | Hard rubber distributor box type 7700<br>L×W×H = 336×370×162mm<br>Pre-fuse max. 63A | 4×T25<br>2×CEE 5×16A/400V<br>1×CEE 5×32A/400V<br>1×CEE 5×63A/400V<br>Input: 1×M40 <b>above</b> |
| ✓ 228674 | according to 228406   | according to 228406<br>Input: 1×M40 <b>below</b>   |
| ✓ 228794 | Hard rubber distributor box type 7700<br>L×W×H = 336×370×162mm<br>Pre-fuse max. 80A | 3×T23<br>2×T25<br>2×CEE 5×16A/400V<br>1×CEE 5×32A/400V<br>Input: 1×M32 <b>above</b>            |
| ✓ 228795 | according to 228794   | according to 228794<br>Input: 1×M32 <b>below</b>   |

Other versions, more accessories and spare parts on request.

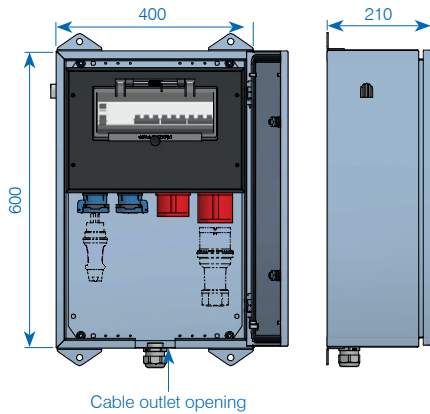
✓ From stock, offer subject to prior sale

# Surface mounted and recessed mounted power distribution boxes

Thanks to GIFAS recessed-/surface mounted distributor cabinets you have access to a product range which is fulfilling highest demands. GIFAS attaches great importance on robust and stable design!

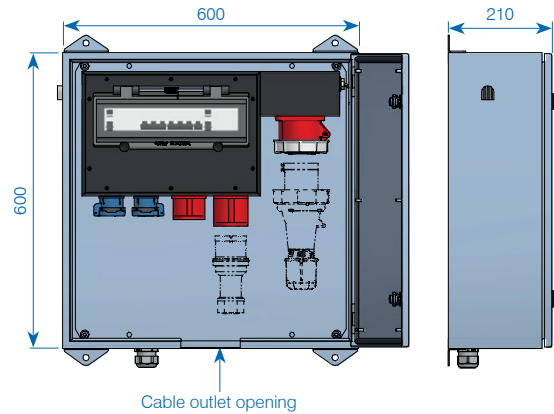
In addition to our standard range we can also provide individual, customized solutions.

## Surface mounted power distribution box type 63 A



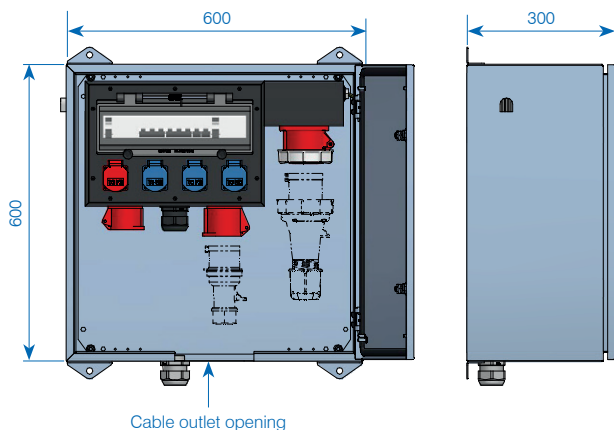
| Item no. | Designation                                 | Equipment                                  |
|----------|---|--|
| 229879   | Pre-fuse max. 63 A<br>L×W×H = 400×600×210mm | 2×T23<br>1×T25<br>1×CEE 16/5<br>1×CEE 32/5 |

## Surface mounted power distribution box type 63 A



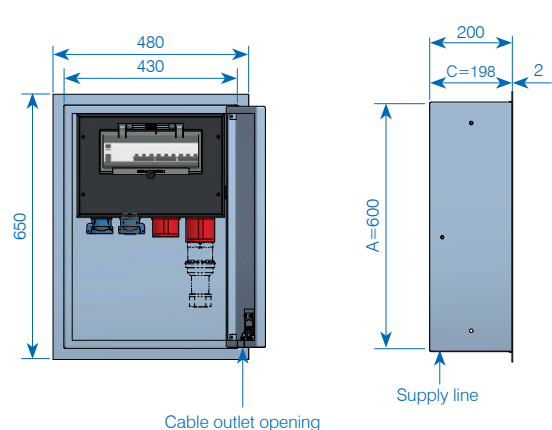
| Item no. | Designation                                 | Equipment  |
|----------|---|--|
| 229891   | Pre-fuse max. 63 A<br>L×W×H = 600×600×210mm | 2×T23<br>1×T25<br>1×CEE 16/5<br>1×CEE 32/5<br>1×CEE 63/5 |

## Surface mounted power distribution box type 63 A



| Item no. | Designation                                 | Equipment  |
|----------|---|--|
| 229903   | Pre-fuse max. 63 A<br>L×W×H = 600×600×300mm | 3×T23<br>1×T25<br>1×CEE 16/5<br>1×CEE 32/5<br>1×CEE 63/5 |

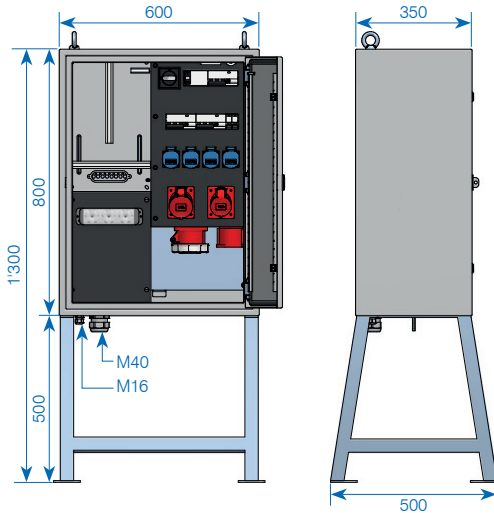
## Recessed mounted power distribution box type 32 A



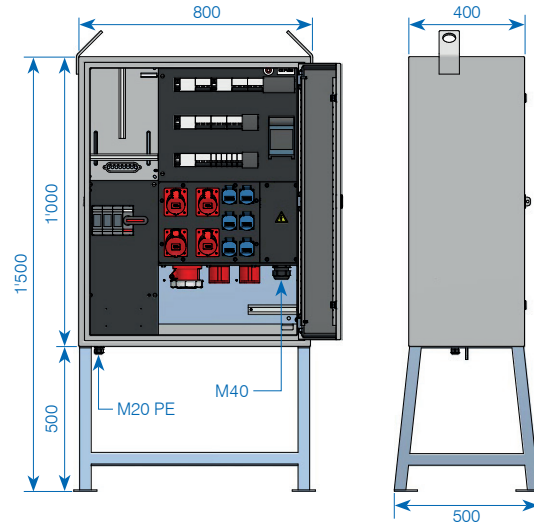
| Item no. | Designation                                 | Equipment                                  |
|----------|---|--|
| 230093   | Pre-fuse max. 63 A<br>L×W×H = 430×600×200mm | 2×T23<br>1×T25<br>1×CEE 16/5<br>1×CEE 32/5 |

Other versions, more accessories and spare parts on request.

Main distributor box 63 A  
direct measurement



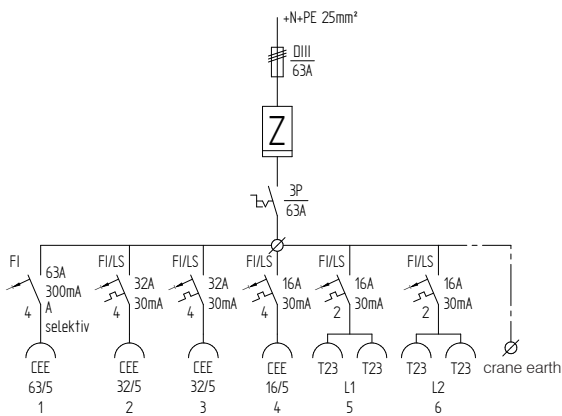
Main distributor box 100 A  
direct measurement



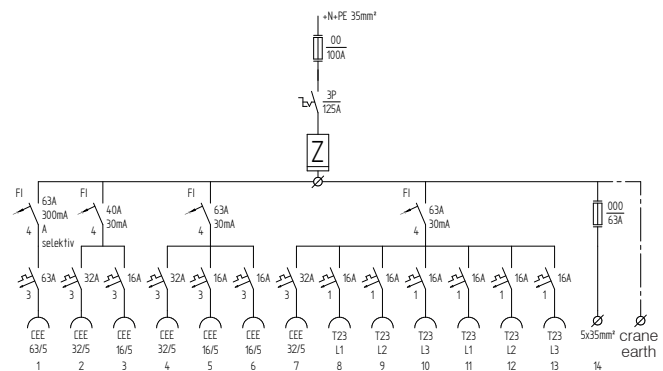
| Item no. | Designation                 | Equipment  |
|----------|-----------------------------|--|
| 231123   | MDB-direct measurement 63 A | 4×T23<br>1×CEE 5×16 A<br>2×CEE 5×32 A / 400 V<br>1×CEE 5×63 A / 400 V<br>1×crane earth<br>Input: 1×M40 |

| Item no. | Designation                  | Equipment  |
|----------|------------------------------|--|
| ✓ 231418 | MDB-direct measurement 100 A | 6×T23<br>3×CEE 5×16 A / 400 V<br>3×CEE 5×32 A / 400 V<br>1×CEE 5×63 A / 400 V<br>1×direct connection 63 A<br>1×crane earth<br>Input: 1×M40 |

Electric diagram



Electric diagram

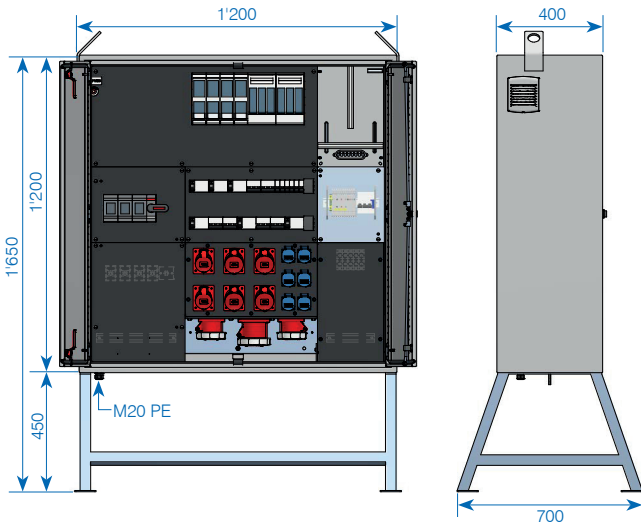


Other versions, more accessories and spare parts on request.

✓ From stock, offer subject to prior sale

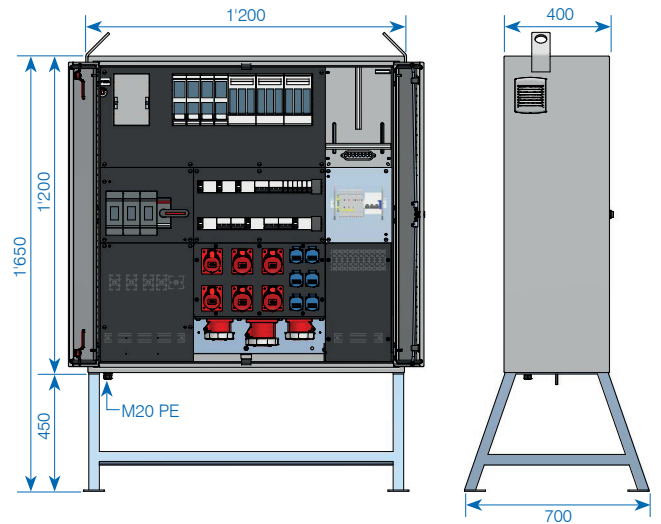
# Main distributor boxes (MDB) 250 A, 400 A

## Main distributor box 250 A Converter measurement



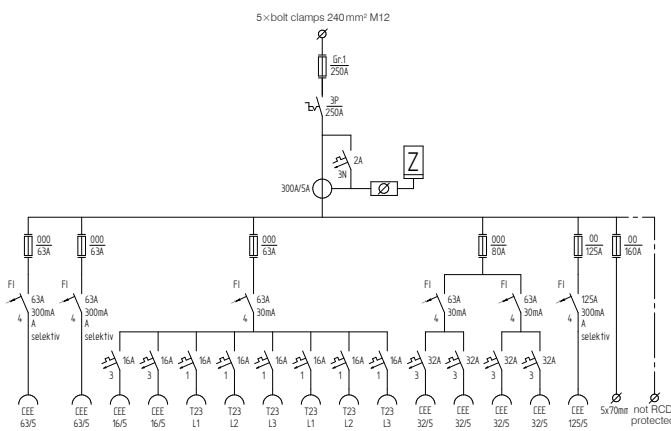
| Item no. | Designation                    | Equipment   |
|----------|--------------------------------|---|
| ✓ 229292 | MDB-Converter measurement 250A | 6×T23<br>2×CEE 5×16A/400V<br>4×CEE 5×32A/400V<br>2×CEE 5×63A/400V<br>1×CEE 5×125A/400V<br>1×direct connection 160A<br>1×crane earth |

## Main distributor box 400 A Converter measurement

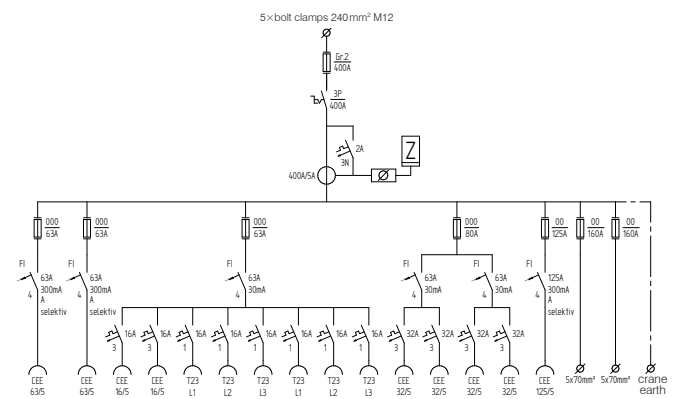


| Item no. | Designation                    | Equipment  |
|----------|--------------------------------|--|
| 229296   | MDB-Converter measurement 400A | 6×T23<br>2×CEE 5×16A/400V<br>4×CEE 5×32A/400V<br>2×CEE 5×63A/400V<br>1×CEE 5×125A/400V<br>2×direct connection 160A |

## Electric diagram



## Electric diagram



Other versions, more accessories and spare parts on request.

✓ From stock, offer subject to prior sale





ES 100 power column for gardens



Power distribution box at Oberriet railway station



Mobile power distribution box in use at a market



Cable crossover in Zurich



QUADRO power column

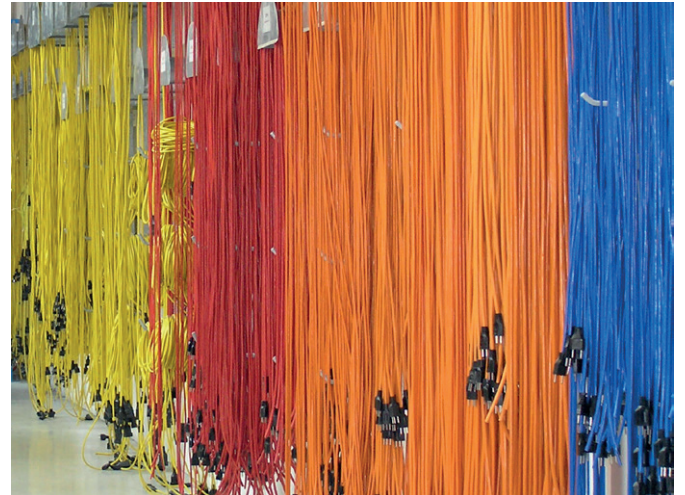


Cable reel with a metal body





Completely assembled and preset spring-driven cable reel



Individually prefabricated cables



Ground clamp for the welding workstation



Unobtrusive recessed distribution box

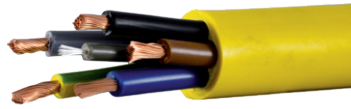


Main distributor on a construction site



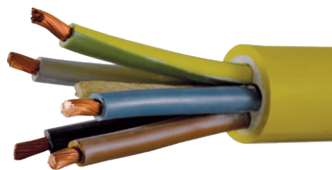
Plugs and sockets used in various applications

## Gifaflex: The universal, reinforced connection line Cable type CH-N07V3V3-F



| Item no. | Size<br>No. of<br>poles × mm <sup>2</sup> | Strand<br>structure<br>mm | External-Ø | Colour |
|----------|---|---------------------------|------------|--------|
| ✓ 010635 | 2×1.0                                     | 32×0.20                   | 7.3mm      | yellow |
| ✓ 010636 | 3×1.0                                     | 32×0.20                   | 7.8mm      | yellow |
| ✓ 010642 | 3×1.5                                     | 30×0.25                   | 8.6mm      | yellow |
| ✓ 010638 | 5×1.0                                     | 32×0.20                   | 9.5mm      | yellow |
| ✓ 010644 | 5×1.5                                     | 30×0.25                   | 10.6mm     | yellow |
| ✓ 010649 | 5×2.5                                     | 50×0.25                   | 12.3mm     | yellow |
| ✓ 010653 | 5×4.0                                     | 56×0.30                   | 14.9mm     | yellow |
| ✓ 010656 | 5×6.0                                     | 84×0.30                   | 16.7mm     | yellow |

## Proflex: Special cable for extremely low ambient temperature, cable type H07 RN-F



| Item no. | Size<br>No. of<br>poles × mm <sup>2</sup> | Strand<br>structure<br>mm | External-Ø | Colour |
|----------|---|---------------------------|------------|--------|
| ✓ 044591 | 5×10.0                                    | 80×0.40                   | 24.1 mm    | yellow |
| ✓ 044595 | 5×16.0                                    | 128×0.40                  | 28.4 mm    | yellow |

## Equipment connection leads Gifaflex T23



| Item no. | Plug             | Size<br>No. of<br>poles × mm <sup>2</sup> | Length | Colour | Protec-<br>tion ca-<br>te-gory |
|----------|------------------|---|--------|--------|--------------------------------|
| ✓ 043041 | T23/16A/<br>250V | 3×1.5                                     | 5m     | yellow | IP20                           |
| ✓ 043043 | T23/16A/<br>250V | 3×1.5                                     | 10m    | yellow | IP20                           |

### Please note:

Other cable colours and dimensions are available on request.  
The connection cable can be printed with your company name.

✓ From stock, offer subject to prior sale

## Equipment connection leads Gifaflex T11/T12/T13



| Item no. | Plug | Size<br>No. of<br>poles × mm <sup>2</sup> | Length | Colour | Protection<br>category |
|----------|------|---|--------|--------|------------------------|
| ✓ 010815 | T11  | 2×1.0                                     | 3m     | yellow | IP20                   |
| ✓ 010816 | T11  | 2×1.0                                     | 5m     | yellow | IP20                   |
| ✓ 010817 | T11  | 2×1.0                                     | 10m    | yellow | IP20                   |
| ✓ 010840 | T11  | 2×1.5                                     | 3m     | yellow | IP20                   |
| ✓ 010841 | T11  | 2×1.5                                     | 5m     | yellow | IP20                   |
| ✓ 025984 | T11  | 2×1.5                                     | 10m    | yellow | IP20                   |
| ✓ 010828 | T12  | 3×1.0                                     | 3m     | yellow | IP20                   |
| ✓ 010829 | T12  | 3×1.0                                     | 5m     | yellow | IP20                   |
| ✓ 010830 | T12  | 3×1.0                                     | 10m    | yellow | IP20                   |
| ✓ 010843 | T12  | 3×1.5                                     | 3m     | yellow | IP20                   |
| ✓ 010844 | T12  | 3×1.5                                     | 5m     | yellow | IP20                   |
| ✓ 010845 | T12  | 3×1.5                                     | 10m    | yellow | IP20                   |
| 242044   | T11  | 2×1.0                                     | 3m     | yellow | IP55                   |
| ✓ 242045 | T11  | 2×1.0                                     | 5m     | yellow | IP55                   |
| ✓ 242054 | T11  | 2×1.0                                     | 10m    | yellow | IP55                   |
| 242047   | T11  | 2×1.5                                     | 3m     | yellow | IP55                   |
| ✓ 242046 | T11  | 2×1.5                                     | 5m     | yellow | IP55                   |
| ✓ 242049 | T13  | 3×1.0                                     | 5m     | yellow | IP55                   |
| ✓ 242051 | T13  | 3×1.0                                     | 10m    | yellow | IP55                   |
| 242052   | T13  | 3×1.5                                     | 3m     | yellow | IP55                   |
| ✓ 242053 | T13  | 3×1.5                                     | 5m     | yellow | IP55                   |
| ✓ 242050 | T13  | 3×1.5                                     | 10m    | yellow | IP55                   |
| ✓ 242058 | T13  | 3×1.5                                     | 25m    | yellow | IP55                   |
| ✓ 242055 | T13  | 3×1.5                                     | 30m    | yellow | IP55                   |
| ✓ 242056 | T13  | 3×1.5                                     | 50m    | yellow | IP55                   |



## Extension cable Gifaflex



standard CH



standard CEE

| Item no. | Size<br>No. of<br>poles × mm <sup>2</sup> | Plug / Coupling | Version      | Length |
|----------|---|-----------------|--------------|--------|
| 228481   | 3 × 1.5                                   | T13/T13/230V    | IP55/mounted | 5 m    |
| ✓ 228490 | 3 × 1.5                                   | T13/T13/230V    | IP55/mounted | 10 m   |
| 228494   | 3 × 1.5                                   | T13/T13/230V    | IP55/mounted | 20 m   |
| 228495   | 3 × 1.5                                   | T23/T23/230V    | IP55/mounted | 20 m   |
| 228026   | 5 × 1.5                                   | T25/T25/400V    | IP55/mounted | 20 m   |
| ✓ 228466 | 5 × 1.5                                   | T15/T15/400V    | IP55/mounted | 10 m   |
| 228468   | 5 × 1.5                                   | T15/T15/400V    | IP55/mounted | 20 m   |
| ✓ 050331 | 5 × 2.5                                   | CEE 16/5/400V   | IP44/mounted | 10 m   |
| ✓ 050332 | 5 × 2.5                                   | CEE 16/5/400V   | IP44/mounted | 20 m   |
| ✓ 066421 | 5 × 6.0                                   | CEE 32/5/400V   | IP44/mounted | 10 m   |
| ✓ 066521 | 5 × 6.0                                   | CEE 32/5/400V   | IP44/mounted | 20 m   |
| ✓ 050288 | 5 × 16.0                                  | CEE 63/5/400V   | IP67/mounted | 10 m*  |
| ✓ 050289 | 5 × 16.0                                  | CEE 63/5/400V   | IP67/mounted | 20 m*  |

\*Proflex

## Spiral cable Pur



| Item no.  | Size<br>No. of<br>poles × mm <sup>2</sup> | Strand<br>structure<br>Number ×<br>mm | Exter-<br>nal-<br>Ø<br>approx.<br>mm | Turning<br>length<br>mm | Use-<br>able<br>length<br>mm | free<br>ends<br>mm |
|-----------|---|---------------------------------------|--------------------------------------|-------------------------|------------------------------|--------------------|
| ✓ 010790  | 3 × 1.0                                   | 32 × 0.2                              | 7.2                                  | 800                     | 3'200                        | 300                |
| ✓ 010791  | 3 × 1.0                                   | 32 × 0.2                              | 7.2                                  | 1'200                   | 4'800                        | 300                |
| ✓ 012766  | 5 × 1.0                                   | 32 × 0.2                              | 9.0                                  | 800                     | 3'200                        | 200                |
| ✓ 010792* | 3 × 1.5                                   | 30 × 0.25                             | 8.7                                  | 800                     | 3'200                        | 300                |
| ✓ 010793  | 3 × 1.5                                   | 30 × 0.25                             | 8.7                                  | 1'200                   | 4'800                        | 300                |
| ✓ 010767  | 4 × 1.5                                   | 30 × 0.25                             | 9.5                                  | 800                     | 3'200                        | 200                |
| ✓ 015036  | 5 × 1.5                                   | 30 × 0.25                             | 10.3                                 | 500                     | 2'000                        | 200                |
| ✓ 010795  | 5 × 1.5                                   | 30 × 0.25                             | 10.3                                 | 800                     | 3'200                        | 200                |
| ✓ 011925  | 5 × 1.5                                   | 30 × 0.25                             | 10.3                                 | 1'200                   | 4'800                        | 200                |
| ✓ 010796  | 7 × 1.5                                   | 30 × 0.25                             | 12.5                                 | 700                     | 2'800                        | 200                |
| ✓ 010797  | 4 × 2.5                                   | 50 × 0.25                             | 10.8                                 | 800                     | 3'200                        | 200                |

\* Mantel: 05BQ-F

## Extension cable with three-way coupling



### Distributor boxes three-way coupling

(coupling part = small distributor box with 3 × built-in sockets)  
plastic plug mounted

| Plug / Coupling | Size<br>No. of<br>poles × mm <sup>2</sup> | 5 m | 10 m | 20 m |
|-----------------|---|-----|------|------|
|-----------------|---|-----|------|------|

### IP55

|             |         |          |          |          |
|-------------|---------|----------|----------|----------|
| T13/3 × T13 | 3 × 1.5 | ✓ 228506 | ✓ 228521 | ✓ 228527 |
| T23/3 × T23 | 3 × 1.5 | 228507   | 228522   | 228528   |
| T15/3 × T13 | 5 × 1.5 | ✓ 228508 | 228523   | 228529   |
| T25/3 × T23 | 5 × 1.5 | ✓ 228509 | 228524   | 228530   |

### Please note:

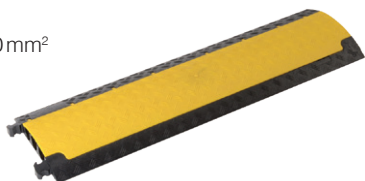
The listed extensions are available in the standard colour yellow. Other cable colours and dimensions are available on request. The extensions can be printed with your company name.

✓ From stock, offer subject to prior sale

## SMART

### Technical data

max. load: app. 2t/400mm<sup>2</sup>  
 Length: 1'000mm  
 Width: 290mm  
 Height: 48mm  
 Channels: 3 channels  
 Weight: 5kg



| Item no.  | Designation  |
|-----------|--|
| ✓ *032295 | Cable crossover SMART 3 channels, 290×48×1'000mm (W×H×D) |
| ✓ 109667  | End ramp with groove                                     |
| ✓ 109668  | End ramp with plug for SMART                             |

## MICRO

### Technical data

max. load: ca. 2'000kg/400cm<sup>2</sup>  
 Width: 273mm  
 Height: 48mm  
 Length: 1'005mm  
 Channels: 2 channels  
 Weight: 5.5kg



| Item no.  | Designation   |
|-----------|---|
| ✓ *207953 | Cable crossover MICRO 2-channels 273×48×1'005mm (W×H×D) |

## MIDI

### Technical data

max. load: app. 5t/400mm<sup>2</sup>  
 Length: 890 (925) mm  
 Width: 542mm  
 Height: 52mm  
 Channels: 5 channels  
 Weight: 12kg

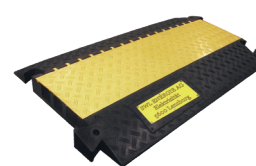


| Item no.  | Designation   |
|-----------|---|
| ✓ *016031 | Cable crossover MIDI 5 channels, 542×52×890mm (W×H×D) |
| ✓ 020840  | Curve 45° for MIDI (incl. 1 pair connecting pin)      |
| 020841    | End ramp for MIDI                                     |

## STANDARD

### Technical data

max. load: app. 5t/400mm<sup>2</sup>  
 Length: 1'000mm  
 Width: 600mm  
 Height: 73mm  
 Channels: 3 channels  
 Weight: 22kg



| Item no.  | Designation  |
|-----------|--|
| ✓ *059553 | Cable crossover STANDARD, 3 channels, 600×73×1'000mm (W×H×D) |
| ✓ 059554  | End ramp for STANDARD  |
| ✓ 018359  | Curve 45° for STANDARD (incl. 1 pair connecting pin)         |
| ✓ 059556  | Connecting pin for STANDARD                                  |

## DEFENDER 3 2D

### Technical data

max. load: approx. 5'000kg/750cm<sup>2</sup>  
 Dimensions (W×H×D):  
 – Item no. 224766: 1'000×330×73mm  
 – Item no. 242888: 500×330×73mm  
 – Item no. 224767: 1'000×600×71mm  
 Channels: 3 Channels  
 Duct height (H×D): 2×: 52×49mm/1×: 45×50mm  
 Weight:  
 – Item no. 224766: 13.5kg  
 – Item no. 242888: 6.75kg  
 – Item no. 224767: 15.9kg

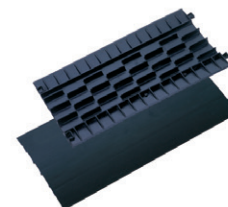


| Item no. | Designation   |
|----------|---|
| ✓ 224766 | Cable crossover Defender 3 2D, 3 channels modular system, middle part, 1'000×330×73mm |
| ✓ 242888 | Cable crossover Defender 3 2D, 3 channels modular system, middle part, 500×330×73mm   |
| ✓ 224767 | Ramp for cable crossover Defender 3 2D modular system, 1'000×600×71mm                 |

## COMPACT

### Technical data

Length: 805mm  
 Width: 435mm  
 Height: 37mm  
 Channels: 7 channels  
 Weight: 3.6kg

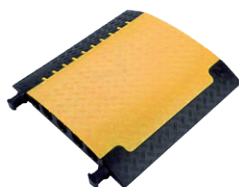


| Item no.  | Designation   |
|-----------|---|
| ✓ *019628 | Cable crossover COMPACT, 7 channels, 435×37×805mm (W×H×D) |

## MAXI

### Technical data

max. load: app. 5t/400mm<sup>2</sup>  
 Length: 700mm  
 Width: 696mm  
 Height: 87mm  
 Channels: 5 channels  
 Weight: 21.4kg



| Item no.  | Designation  |
|-----------|--|
| ✓ *023212 | Cable crossover MAXI, 5 channels, 696×87×700mm (W×H×D) |
| ✓ 023213  | End ramp for MAXI                                      |

## Hose bridge

### Technical data

Length: 320mm  
 Width: 830mm  
 Height: 102mm  
 Channels: 2 channels  
 Weight: 15kg



| Item no. | Designation   |
|----------|---|
| ✓ 203954 | Hose bridge solid rubber, 2 channels, 830×102×320mm (W×H×D) |

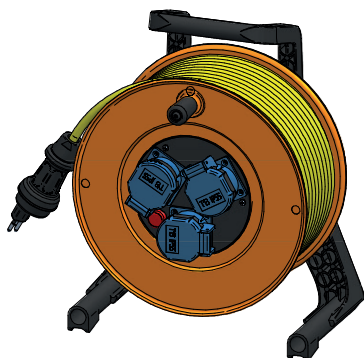
\* The cable bridges can be laser marked with the company name/logo from an order quantity of 30 pieces.

✓ From stock, offer subject to prior sale



## Cable reel plastic type 510

L×W×H= 297×367×208 mm



| Item no. | Output | Cable length | Cable Ø                           | Input / plug       |
|----------|--------|--------------|-----------------------------------|--------------------|
| ✓ 244628 | 3×T13  | 30m          | 3×1.5 mm <sup>2</sup><br>Gifaflex | T13,<br>vulcanized |

with thermal protection

## Cable reel plastic type 530

L×W×H = 235×320×165 mm (N° art. 246022)

L×W×H = 270×350×200 mm (N° art. 254701)



| Item no. | Output | Cable length | Cable Ø                          | Input / Plug       |
|----------|--------|--------------|----------------------------------|--------------------|
| ✓ 246022 | 3×T13  | 20m          | 3×1.5 mm <sup>2</sup><br>H07RN-F | T13,<br>vulcanized |
| ✓ 254701 | 3×T13  | 33m          | 3×1.5 mm <sup>2</sup><br>H07RN-F | T13,<br>vulcanized |

with thermal protection

## Cable reel hard rubber type 501

L×W×H= 254×347×205 mm



| Item no. | Output | Cable length | Cable Ø                         | Input / Plug       |
|----------|--------|--------------|---------------------------------|--------------------|
| ✓ 244924 | 3×T13  | 25m          | 3×1 mm <sup>2</sup><br>Gifaflex | T13,<br>vulcanized |
| ✓ 244923 | 3×T13  | 30m          | 3×1 mm <sup>2</sup><br>Gifaflex | T13,<br>vulcanized |

with thermal protection

## Cable reel hard rubber type 502

L×W×H= 310×417×224 mm



| Item no. | Output | Cable length | Cable Ø                           | Input / plug       |
|----------|--------|--------------|-----------------------------------|--------------------|
| ✓ 244939 | 3×T13  | 35m          | 3×1.5 mm <sup>2</sup><br>Gifaflex | T13,<br>vulcanized |
| ✓ 244940 | 3×T13  | 50m          | 3×1.5 mm <sup>2</sup><br>Gifaflex | T13,<br>vulcanized |

with thermal protection

### Please note:

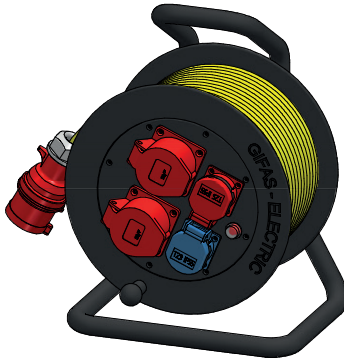
For marking, the reel body can be engraved and/or the cable can be printed (with your company name or similar).

Other versions, more accessories and spare parts on request.

✓ From stock, offer subject to prior sale

## Cable reel hard rubber type 502

L×W×H=310×417×252 mm



| Item no. | Designation | Output                  | Cable                                      | Plug     |
|----------|-------------|-------------------------|--|----------|
| ✓ 227766 | hard rubber | T23, T25,<br>2×CEE 16/5 | 30 m,<br>5×2.5 mm <sup>2</sup> ,<br>yellow | CEE 16/5 |

with thermal protection

## Spring-driven cable reel type 520

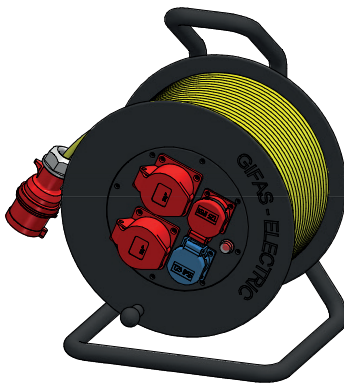


| Item no. | Size<br>No. of<br>poles×mm <sup>2</sup> | Cable length,<br>rolled up | Output<br>rolled up | Output<br>unreeled |
|----------|---|----------------------------|---------------------|--------------------|
| ✓ 058047 | 3×1.0                                   | 6 m + 1 m free             | 1'100 W             | 1'600 W            |
| ✓ 058049 | 3×1.5                                   | 5 m + 1 m free             | 1'400 W             | 1'900 W            |

with thermal protection

## Cable reel hard rubber type 503 /

L×W×H=340×487×300 mm



| Item no. | Designation | Output                  | Cable                                    | Plug     |
|----------|-------------|-------------------------|--|----------|
| ✓ 227767 | hard rubber | T23, T25,<br>2×CEE 16/5 | 50 m,<br>5×2.5 mm <sup>2</sup><br>yellow | CEE 16/5 |

with thermal protection

## Spring-driven cable reel type 521



| Item no.  | Size<br>No. of<br>poles×mm <sup>2</sup> | Cable length,<br>rolled up | Output<br>rolled up | Output<br>un-reeled |
|-----------|---|----------------------------|---------------------|---------------------|
| ✓ *035034 | 3×1.0                                   | 12.5 m + 1.5 m free        | 900 W               | 1'400 W             |
| ✓ *035063 | 3×1.5                                   | 10 m + 1.5 m free          | 1'200 W             | 1'800 W             |
| ✓ 035182  | 5×1.5                                   | 5.5 m + 1.5 m free         | 1'400 W             | 1'900 W             |
| ✓ 037942  | 1×6.0                                   | 12.5 m + 1.5 m free        | –                   | –                   |

\* with thermal protection

## Hose reel for air and water



Example of an engraving

Other versions, more accessories and spare parts on request.

✓ From stock, offer subject to prior sale



| Item no. | Version  | Hose length<br>rolled-up | Inter-<br>nal-Ø | Connec-<br>tion | Pres-<br>sure |
|----------|----------|--------------------------|-----------------|-----------------|---------------|
| ✓ 039797 | type 585 | 10 m + 2 m free          | 8 mm            | 1/4"            | 12 bar        |

# CH-norm standard range / plugs and sockets CEE-standard

## Plugs IP55



| Item no. | Designation    | No. of poles | Voltage (50-60Hz) | Strength of current |
|----------|----------------|--------------|-------------------|---------------------|
| ✓ 860813 | Plug black T13 | P+N+E        | 230V              | 10A                 |
| ✓ 860815 | Plug black T23 | 3P+N+E       | 230/400V          | 10A                 |
| ✓ 860823 | Plug black T15 | P+N+E        | 230V              | 16A                 |
| ✓ 860825 | Plug black T25 | 3P+N+E       | 230/400V          | 16A                 |

## Couplings IP55



| Item no. | Designation        | No. of poles | Voltage (50-60Hz) | Strength of current |
|----------|--------------------|--------------|-------------------|---------------------|
| ✓ 860814 | Coupling black T13 | P+N+E        | 230V              | 10A                 |
| ✓ 860816 | Coupling black T23 | 3P+N+E       | 230/400V          | 10A                 |
| ✓ 860824 | Coupling black T15 | P+N+E        | 230V              | 16A                 |
| ✓ 860826 | Coupling black T25 | 3P+N+E       | 230/400V          | 16A                 |

## Built-in sockets IP55



| Item no. | Designation      | No. of poles | Voltage (50-60Hz) | Strength of current |
|----------|------------------|--------------|-------------------|---------------------|
| ✓ 860913 | Socket blue T13  | P+N+E        | 230V              | 10A                 |
| ✓ 860914 | Socket grey T13  | P+N+E        | 230V              | 10A                 |
| ✓ 860916 | Socket red T15   | P+N+E        | 230V              | 10A                 |
| ✓ 860915 | Socket black T13 | 3P+N+E       | 400V              | 10A                 |
| ✓ 860923 | Socket blue T23  | P+N+E        | 230V              | 16A                 |
| ✓ 860924 | Socket grey T23  | P+N+E        | 230V              | 16A                 |
| ✓ 860925 | Socket red T25   | 3P+N+E       | 400V              | 16A                 |

## Plugs and sockets CEE-product range plastic IP44, IP44/IP54



| Item no. | Designation             | No. of poles | Voltage 50-60 Hz | Strength of current |
|----------|-------------------------|--------------|------------------|---------------------|
| ✓ 056857 | Plug                    | 2P+E         | 230V             | 16A                 |
| ✓ 056864 | Coupling                | 2P+E         | 230V             | 16A                 |
| ✓ 056929 | Slanted built-in socket | 2P+E         | 230V             | 16A                 |
| ✓ 056860 | Plug                    | 3P+N+E       | 400V             | 16A                 |
| ✓ 056867 | Coupling                | 3P+N+E       | 400V             | 16A                 |
| ✓ 056931 | Slanted built-in socket | 3P+N+E       | 400V             | 16A                 |
| ✓ 056861 | Plug                    | 3P+N+E       | 400V             | 32A                 |
| ✓ 056868 | Coupling                | 3P+N+E       | 400V             | 32A                 |
| ✓ 056933 | Slanted built-in socket | 3P+N+E       | 400V             | 32A                 |
| ✓ 021637 | Wall socket*            | 3P+N+E       | 400V             | 16A                 |
| ✓ 045997 | Wall socket*            | 3P+N+E       | 400V             | 32A                 |

\*trough wiring, with thread M25

## Plugs and sockets CEE-product range plastic IP67



| Item no. | Designation             | No. of poles | Voltage 50-60 Hz | Strength of current |
|----------|-------------------------|--------------|------------------|---------------------|
| ✓ 055992 | Plug                    | 2P+E         | 230V             | 16A                 |
| ✓ 056000 | Coupling                | 2P+E         | 230V             | 16A                 |
| ✓ 055975 | Slanted built-in socket | 2P+E         | 230V             | 16A                 |
| ✓ 055993 | Plug                    | 3P+N+E       | 400V             | 16A                 |
| ✓ 056001 | Coupling                | 3P+N+E       | 400V             | 16A                 |
| ✓ 055977 | Slanted built-in socket | 3P+N+E       | 400V             | 16A                 |
| ✓ 055994 | Plug                    | 3P+N+E       | 400V             | 32A                 |
| ✓ 056002 | Coupling                | 3P+N+E       | 400V             | 32A                 |
| ✓ 055980 | Slanted built-in socket | 3P+N+E       | 400V             | 32A                 |
| ✓ 055995 | Plug                    | 3P+N+E       | 400V             | 63A                 |
| ✓ 056003 | Coupling                | 3P+N+E       | 400V             | 63A                 |
| ✓ 055991 | Slanted built-in socket | 3P+N+E       | 400V             | 63A                 |

Other versions, more accessories and spare parts on request.

✓ From stock, offer subject to prior sale

## Special devices CEE



| Item no. | Designation    | No. of poles | Voltage 50-60Hz | Strength of current |
|----------|----------------|--------------|-----------------|---------------------|
| ✓ 056047 | Test plug      | 3P+N+E       | 400V            | 16A                 |
| ✓ 051309 | Phase inverter | 3P+N+E       | 400V            | 16A                 |
| ✓ 051310 | Phase inverter | 3P+N+E       | 400V            | 32A                 |

## Personal safety switch PRCD-S IP55 RCCB adapter cable



| Item no. | Designation  |
|----------|--|
| ✓ 059069 | Personal safety switch PRCD-S 10mA / 230V / 16A without cable/without coupling |
| ✓ 222286 | Personal safety switch PRCD-S 30mA / 230V / 16A without cable/without coupling |
| ✓ 229354 | RCCB adapter cable PRCD-S 2m T13/T13   |
| 229351   | RCCB adapter cable PRCD-S 3m T13/3×T13, 30mA                                   |
| 229352   | RCCB adapter cable PRCD-S 5m T13/3×T13, 10mA                                   |
| 229353   | RCCB adapter cable PRCD-S 5m T23, 30mA   |

## Diverse plugs and sockets



| Item no. | Designation  |
|----------|--|
| ✓ 010366 | Plug T12, polyamide black, 2P+E, 10A-230V                            |
| ✓ 010365 | Coupling T13, polyamide black, 2P+E, 10A-230V                        |
| ✓ 054924 | Plug T12, polyamide white, 2P+E, 10A-230V                            |
| ✓ 041991 | Coupling T13, polyamide white, 2P+E, 10A-230V                        |
| ✓ 010357 | Distribution plug 3×T13, nylon black, 2P+E, 10A-230V                 |
| 024274   | Distribution plug 3×T13, nylon white, 2P+E, 10A-230V                 |
| ✓ 027785 | Slanted built-in T13, polyamide black, 2P+E, 10A-230V                |
| ✓ 010355 | Slanted built-in 3×T13, nylon black, 2P+E, 10A-230V                  |
| ✓ 044358 | Plug T23, plastic, 2P+E, 16A-250V/50-60Hz                            |
| ✓ 044365 | Coupling T23, plastic, 2P+E, 16A-250V/50-60Hz                        |
| ✓ 044374 | Plug T25, plastic, 2P+N+E, 16A-250/400V/50-60Hz                      |
| ✓ 044378 | Coupling T25, plastic, 2P+N+E, 16A-250/400V/50-60Hz                  |
| ✓ 028498 | Slanted built-in 1×RJ45 Cat. 6 modul 8 yellow, IP55, incl. flat seal |
| ✓ 026235 | Slanted built-in 2×RJ45 Cat. 6 modul 8 yellow, IP55, incl. flat seal |

Other versions, more accessories and spare parts on request.

✓ From stock, offer subject to prior sale

## Welding cable Douflex



| Item no. | Size mm <sup>2</sup> | Exterior-Ø approx. mm |
|----------|----------------------|-----------------------|
| ✓ 241546 | 16                   | 11.0                  |
| ✓ 241547 | 25                   | 13.0                  |
| ✓ 241548 | 35                   | 15.0                  |
| ✓ 241549 | 50                   | 16.5                  |
| ✓ 241551 | 70                   | 18.0                  |
| ✓ 241552 | 95                   | 22.5                  |

Set with plug and female connector or plug / ground clamp / Jumper cables for trucks or cars



| Item no. | Designation                               | Size              | Length |
|----------|---|-------------------|--------|
| 241675   | Welding cable extension                   | 25mm <sup>2</sup> | 10m    |
| 241676   | Welding cable extension                   | 35mm <sup>2</sup> | 10m    |
| 241677   | Welding cable extension                   | 50mm <sup>2</sup> | 10m    |
| 241678   | Welding cable extension                   | 70mm <sup>2</sup> | 10m    |
| 241717   | Ground connection set                     | 25mm <sup>2</sup> | 5m     |
| 241718   | Ground connection set                     | 35mm <sup>2</sup> | 5m     |
| 241719   | Ground connection set                     | 50mm <sup>2</sup> | 5m     |
| 241720   | Ground connection set                     | 70mm <sup>2</sup> | 5m     |
| 241674   | Jumper cables orange, with 2 clamps red   | 50mm <sup>2</sup> | 10m    |
| 241673   | Jumper cables orange, with 2 clamps black | 50mm <sup>2</sup> | 10m    |

## Ground clamp



electrolysically galvanized steel

solid brass

Ground clamp made of electrolysically galvanized steel

| Item no. | Cable                | Opening max. | Power max | Connection                             |
|----------|----------------------|--------------|-----------|--|
| ✓ 016166 | 16-25mm <sup>2</sup> | 45mm         | 170A      | Cable socket, con-tact jaw with radius |
| ✓ 014315 | 16-25mm <sup>2</sup> | 45mm         | 170A      | Cable socket, con-tact jaw with teeth  |
| ✓ 046760 | 50-70mm <sup>2</sup> | 60mm         | 400A      | Cable socket                           |
| ✓ 010986 | 25-70mm <sup>2</sup> | 70mm         | 600A      | Cable socket                           |

Ground clamp cast from solid brass

|          |                      |      |      |                     |
|----------|----------------------|------|------|---------------------|
| ✓ 045431 | 70-95mm <sup>2</sup> | 45mm | 600A | Interior connection |
|----------|----------------------|------|------|---------------------|

## Welding connections Plugs and welding coupling



Plugs

Welding coupling

### Plugs

| Item no.  | max. power | Pin-Ø  | for cable diameter   |
|-----------|------------|--------|----------------------|
| ✓ 010949  | 200A       | 9.0mm  | 16-25mm <sup>2</sup> |
| ✓ 010951  | 400A       | 13.0mm | 35-50mm <sup>2</sup> |
| ✓ 010952  | 600A       | 13.0mm | 50-70mm <sup>2</sup> |
| ✓ *010953 | 600A       | 13.0mm | 70-95mm <sup>2</sup> |

\* Double screw terminal

### Built-in plugs coupling with cover

| Item no. | max. power | Pin-Ø  | for cable diameter   | Connection screw* |
|----------|------------|--------|----------------------|-------------------|
| ✓ 011029 | 200A       | 9.0mm  | 16-25mm <sup>2</sup> | M8×12             |
| ✓ 010961 | 400A       | 13.0mm | 35-70mm <sup>2</sup> | M10×16            |
| ✓ 010962 | 600A       | 13.0mm | 50-95mm <sup>2</sup> | M12×20            |

\*Connection with crimp ring terminal

### Welding coupling

| Item no.  | max. power | Pin-Ø  | for cable diameter   |
|-----------|------------|--------|----------------------|
| ✓ 010965  | 200A       | 9.0mm  | 16-25mm <sup>2</sup> |
| ✓ 010966  | 400A       | 13.0mm | 35-50mm <sup>2</sup> |
| ✓ 010967  | 600A       | 13.0mm | 50-70mm <sup>2</sup> |
| ✓ *010968 | 600A       | 13.0mm | 70-95mm <sup>2</sup> |

\* Double screw terminal

### Built-in welding coupling with cover

| Item no. | max. power | Pin-Ø  | for cable diameter   | Connection screw* |
|----------|------------|--------|----------------------|-------------------|
| ✓ 011030 | 200A       | 9.0mm  | 16-25mm <sup>2</sup> | M8×12             |
| ✓ 010976 | 400A       | 13.0mm | 35-70mm <sup>2</sup> | M10×16            |
| ✓ 010977 | 600A       | 13.0mm | 50-95mm <sup>2</sup> | M12×20            |

\*Connection with crimp ring terminal

## Electrode holder



Electrode holder with jaw

Electrode holder with swivel head

### Electrode holder with jaw

| Item no. | 35%  | 60%  | for electrode diameter Ø | for Welding cable    |
|----------|------|------|--------------------------|----------------------|
| ✓ 010980 | 400A | 300A | 2.0-5.5mm                | 35-50mm <sup>2</sup> |
| ✓ 010981 | 450A | 300A | 2.0-6.0mm                | 50-70mm <sup>2</sup> |

### Electrode holder with swivel head

|          |      |      |           |                      |
|----------|------|------|-----------|----------------------|
| ✓ 010982 | 400A | 200A | 1.0-6.0mm | 35-50mm <sup>2</sup> |
| ✓ 010983 | 600A | 400A | 2.0-8.0mm | 70-95mm <sup>2</sup> |

Other versions, more accessories and spare parts on request.

✓ From stock, offer subject to prior sale

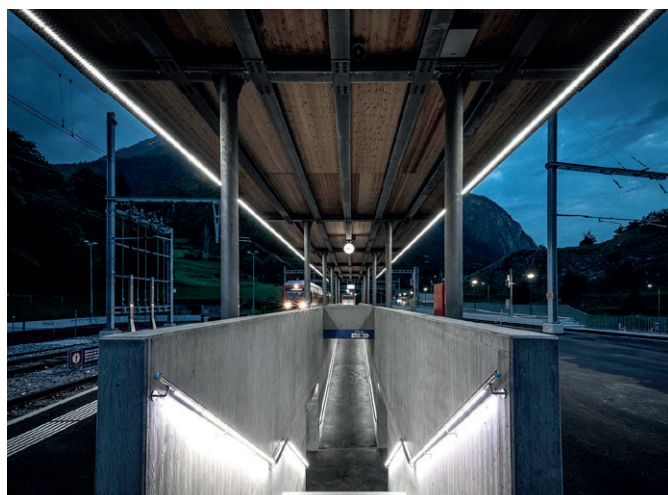




LaneLED GFK, Glatscheras tunnel



LaneLED WALL, Torretta Bellinzona footbridge



LaneLED WALL and LaneLED INOX42, railway station Sembrancher



LaneLED INOX42, Lindenplatz square Baden



Portable test kit



Electric vehicle charging station, electricity station EBS Schwyz





On-site switches, type 2812 yellow, sewage treatment plant Herisau



You will find our complete range  
and special solutions on  
[www.gifas.ch](http://www.gifas.ch)



Floor socket outlet Fonto and Masso, shopping centre Plus City



Underfloor distributor system, St. Jakob-Park stadium in Basel



CircLED roundabout Bachenbülach

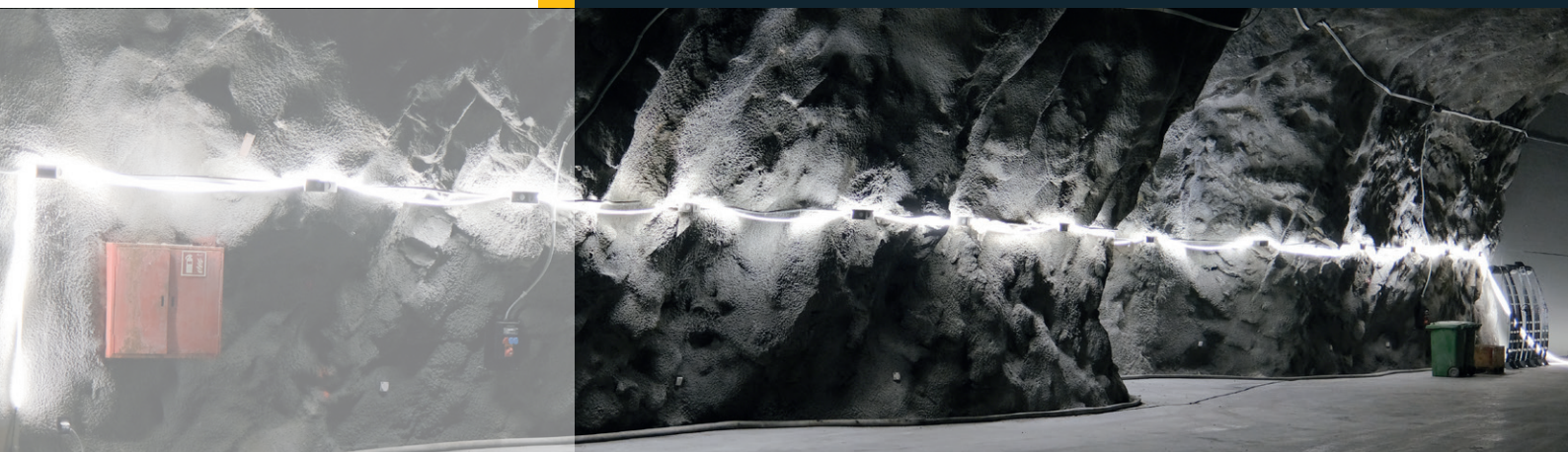


VisuLED HOME, Jura Elektroapparate AG Niederbuchsiten

GET IN TOUCH WITH US

News about the assortment and specific solutions can be found on our website:

[www.gifas.ch](http://www.gifas.ch)



**GIFAS**  
ELECTRIC

GIFAS-ELECTRIC GmbH  
Dietrichstrasse 2  
CH-9424 Rheineck

+41 71 886 44 44  
+41 71 886 44 49  
info@gifas.ch  
www.gifas.ch

We reserve the right to make technical modifications. V 01/24